

COMETIC
GASKET



INBOARD AND STERN DRIVE
GASKETS





CUSTOM GASKETS



Cometic's custom gaskets can accommodate virtually any engine configuration from naturally aspirated, to the most exotic turbo and nitrous injected engines. Our commitment is to provide innovative, quality gaskets while maximizing your engine's power and performance. When customization is key, Cometic delivers!

Cometic has the ability to customize any gasket to meet your specific application. Need to change the bore size and/or thickness of a gasket? Or do you need a complete gasket design and execution? The process starts with a simple phone call. After Cometic's in-house Technical Sales Team understands your needs, they work directly with our design engineers to insure the gasket is drawn with state-of-the-art software and manufactured with the best materials possible with the most current and efficient manufacturing processes. If special tooling is required, we'll provide a pre-production estimate for approval. Your gasket is then made and shipped. The lead-time on bore and thickness changes is just three days. A complete gasket design takes just two weeks.



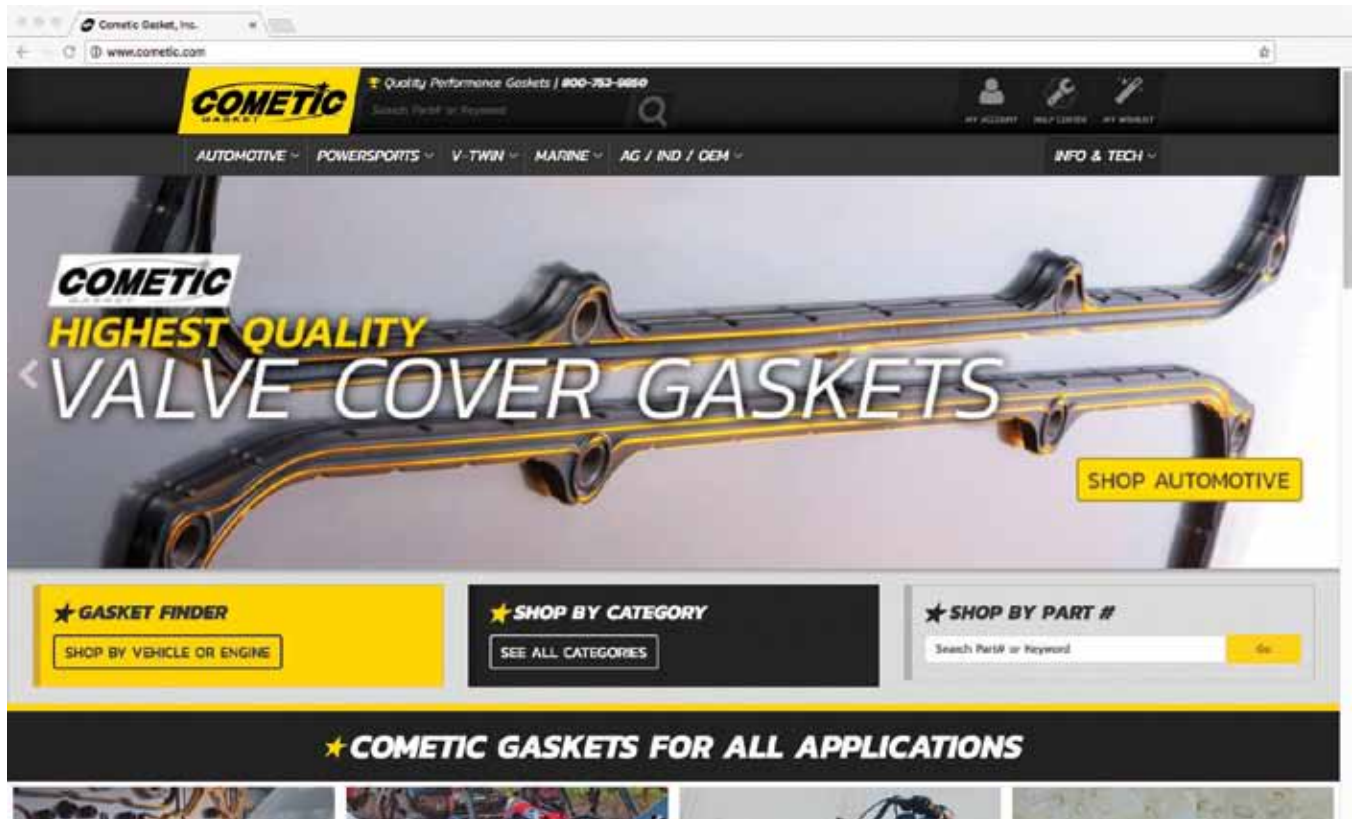
The passion for racing runs deep in our Technical Sales and Engineering Teams. We understand the importance of perfection in your next engine build because we are right there with you racing on weekends.

Call our Technical Sales Team (440) 354-0777

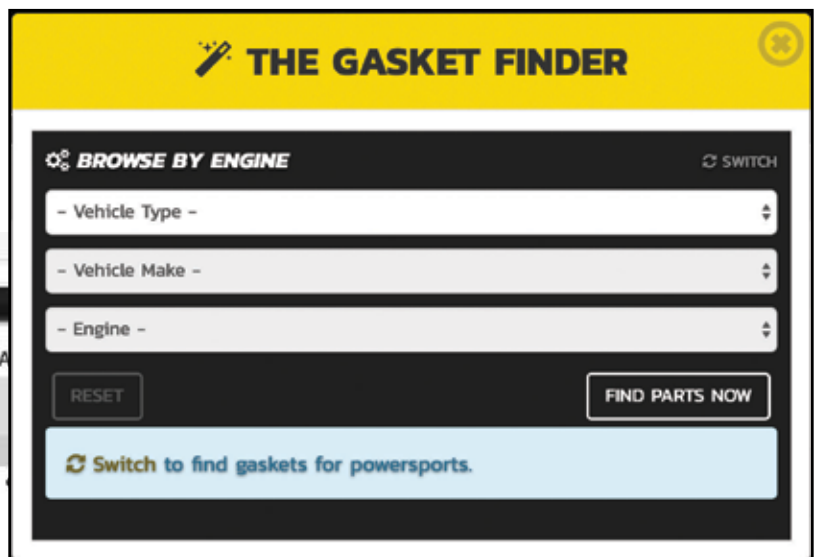
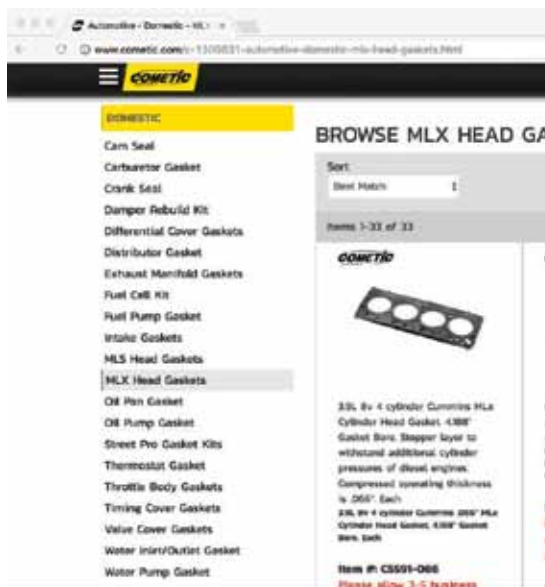
Visit www.cometic.com for listing of gasket materials and available thicknesses



Visit the NEW cometic.com!



Try our gasket finder.





GASKET MATERIALS

MLS[®] Multi Layer Steel Gaskets

The Cometic MLS gasket is comprised of three to five layers of Stainless Steel. Cometic uses Stainless steel for increased strength, its ability to rebound and corrosion resistance. The outer layers of the gasket are embossed and coated on both sides with a Viton rubber material designed to meet the demands of a variety of harsh sealing environments, load conditions and surface finishes. The Viton coating is heat resistant to 250C or 482F.

The center or shim layer of the gasket is comprised of an uncoated Stainless Steel layer, which can be varied to accommodate multiple thickness requirements. The MLS gasket is ideal for any kind of head and block combination.

By design the MLS gasket promotes an even torque load across the sealing surface allowing for measurable reduced bore distortion.

AFM (Aluminum Foam Material)

AFM is a chemically blown, compounded nitrile synthetic rubber bonded to an aluminum core with temperature resistance of over 250F. AFM material has an 85% recovery while maintaining strong torque retention. AFM does not require gasket sealers or re-tightening.

Available thickness: .018", .032", .060"

Spring Steel

A stainless steel core with a .001" thick coating of viton rubber on both sides.

Available thickness: .010", .014", .020"

Aramid Fiber

Is a premium hi-temperature, hi-density creep resistant material that requires no re-torquing and is fuel resistant. All Cometic fiber materials are asbestos free and require no additional sealants.

Available thickness: .012", .015", .020", .031", .039", .047", .060", .094", .125", .188

Copper (Dead Soft)

Available thickness: .005", .010", .016", .020", .027", .032", .043", .050", .063", .080", .094"

Aluminum

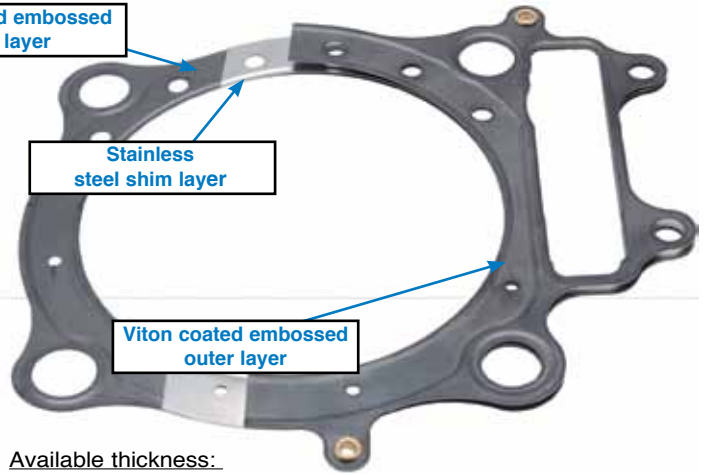
Solid material ideal for spacers and shims.

Available thickness: .010", .016", .020", .025", .032", .040", .050", .063", .080", .100", .125", .188", .250", .313", .375", .500"

Viton coated embossed outer layer

Stainless steel shim layer

Viton coated embossed outer layer

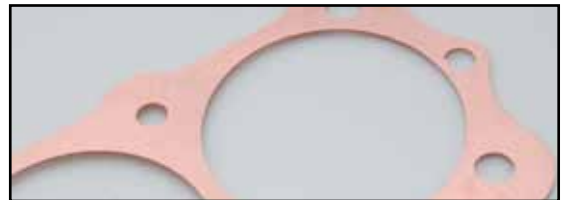


Available thickness:

.027", .030", .036", .040", .045", .051", .060", .066", .070", .075", .080", .086", .092", .098", 120"



3 Layer MLS Style Cross Section



The NASCAR Performance[®] logo and word mark are used under license by the National Association for Stock Car Auto Racing Inc.

Cometic Gasket - An Exclusive NASCAR Performance[®] Product



Marine Gasket Part Number System

Prefix – Indicates Marine Division of COMETIC Gasket, Inc.
CG – This is the prefix for all COMETIC Marine part numbers

First Digit of the Core Part Number Identifies Product Type

- 1 – Head Gasket Related
- 2 – Exhaust Related
- 3 – Intake or Fuel Related
- 4 – Valve Train Related
- 5 – Timing Cover Related
- 6 – Oil Pan or Sump Related
- 7 – Drive or Lower Unit Related
- 8 – Cooling Related
- 9 – Miscellaneous

SUFFIX – Indicates multiple components under one part number

- T** – Top End Kit
- B** – Bottom End Kit
- H** – Contains Hardware
- E** – Exhaust Manifold Set
- R** – Riser Gaskets Included
- K** – Kit (Contains enough components to install)

NOTE: After the first digit code the remainder of the core number is a sequencing number.



CG - Identifies Marine Gasket
2 - Identifies Product Type (Exhaust Gasket)
E - Identifies Multiple Gaskets (Exhaust Manifold Set)

Part # - CG20020E

Fits: Mercury/OMC/Volvo/Yamaha
 GM 262/4.3L, V6
 Replaces: 27-99757, 3853412,
 YSC-12190-00AC

TABLE OF CONTENTS

| | Pg.# |
|---|-------|
| Part Number Guide | 3 |
| MLS Exhasut Gaskets..... | 4 |
| MLS Head Gaskets | 5-6 |
| Marine Pro MLS Top End Kits | 7-8 |
| Marine Pro Bottom End Kits | 8 |
| Inboard & Sterndrive Exhaust Manifold Sets..... | 9-10 |
| Exhaust Manifold / Individual & Pairs | 10-11 |
| Exhaust Elbow..... | 12 |
| Exhaust End Cap | 13 |

| | Pg.# |
|--|-------|
| Intake & Fuel | 12-14 |
| Cooling | 15-16 |
| Valve Cover | 16 |
| Oil Pan & Sump..... | 16-17 |
| Timing Cover | 17 |
| Miscellaneous / Seals Gaskets & O-Rings..... | 18-19 |
| Drive & Lower Unit | 19 |
| Cross Reference Guide..... | 20-23 |
| KLOTZ Lubricants | 24 |






Cometic Gasket - An Exclusive NASCAR Performance Product




MLS MARINE Exhaust Manifold Gaskets

- Made from 301 grade stainless steel
- Designed for extreme cylinder pressures
- Maintains a torque set
- Resists corrosion, will not burn through or push out
- No sealants are required
- Withstands different combinations of cylinder head and manifold materials





CHRYSLER

| | | | | |
|--|--|------------------------------------|---------------------------|----------------------------------|
|  | Application 318, 340 & 360, V8..... | Material MLS .030" | Pkg Qty 2 | Part # CG20005E |
| | | | 1 | CG200055 |
|  | Application 361, 383, 400, 413, 426 & 440, V8 | Material MLS .030" | Pkg Qty 2 | Part # CG20006E |
| | | | 1 | CG200056 |
|  | Application Illmor/Chrysler 8.3L V10 Viper | Material MLS .030" | Pkg Qty 2 | Part # CG20009E |
| | | | 1 | CG200062 |



FORD

| | | | | |
|--|---|------------------------------------|---------------------------|----------------------------------|
|  | Application 289, 302 & 351, V8..... | Material MLS .030" | Pkg Qty 2 | Part # CG20003E |
| | | | 1 | CG200053 |
|  | Application Mercury 3.7L 4 Cyl. 429 & 460, V8 | Material MLS .030" | Pkg Qty 2 | Part # CG20004E |
| | | | 1 | CG200054 |
|  | Application Indmar/Ford 6.2L..... V8 Raptor | Material MLS .030" | Pkg Qty 2 | Part # CG20008E |
| | | | 1 | CG200058 |

GM

| | | | | |
|--|---|------------------------------------|---------------------------|----------------------------------|
|  | Application 262/4.3L V6 | Material MLS .030" | Pkg Qty 2 | Part # CG20012E |
| | | | 1 | CG200059 |
|  | Application Small Block 305, 350/ 5.0L, 5.7L, V8 | Material MLS .030" | Pkg Qty 2 | Part # CG20001E |
| | | | 1 | CG200051 |
|  | Application Big Block 454, 502 / 7.4L, 8.2L, V8 | Material MLS .030" | Pkg Qty 2 | Part # CG20002E |
| | | | 1 | CG200052 |
|  | Application Crusader / PCM..... LS Series 6.0L, V8 | Material MLS .030" | Pkg Qty 2 | Part # CG20007E |
| | | | 1 | CG200057 |

MERCURY RACING

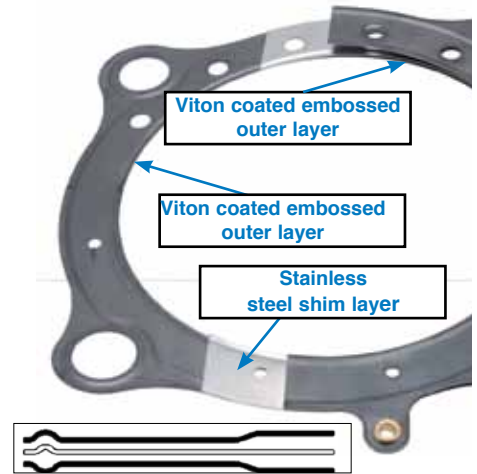
| | | | | |
|--|--|------------------------------------|---------------------------|----------------------------------|
|  | Application Big Block 525 EFI, 600/662/700 SCi Series, V8 | Material MLS .030" | Pkg Qty 2 | Part # CG20010E |
| | | | 1 | CG200060 |
|  | Application Big Block 850/1025/ 1075/1200 SCi Series, V8 | Material MLS .030" | Pkg Qty 2 | Part # CG20011E |
| | | | 1 | CG200061 |



Cometic Gasket - An Exclusive NASCAR Performance Product

MLS MARINE Head Gaskets

- Comprised of multiple embossed layers of both AMP (Advanced Multi-Polymer Coating) and uncoated stainless steel.
- No sealants or re-torque required.
- Requires less clamp load creating less bore distortion and conforms load distribution across the sealing area.



3 Layer MLS Style Cross Section

CHRYSLER

| | | | | |
|--|----------------------------|-----------------|----------------|----------------|
| | Application | Material | Pkg Qty | Part # |
| | Chrysler 318/5.2L V8 | MLS .040 | 1 | CG10020 |

| | | | | |
|--|---------------------------------------|-----------------|----------------|----------------|
| | Application | Material | Pkg Qty | Part # |
| | Chrysler 340/5.6L & 360/5.9L V8 | MLS .040 | 1 | CG10021 |

| | | | | |
|--|----------------------------|-----------------|----------------|----------------|
| | Application | Material | Pkg Qty | Part # |
| | Chrysler 440/7.2L V8 | MLS .040 | 1 | CG10023 |

FORD

| | | | | |
|--|-----------------------------------|-----------------|----------------|----------------|
| | Application | Material | Pkg Qty | Part # |
| | Ford 302/5.0L & 351/5.8L V8 | MLS .040 | 1 | CG10024 |

| | | | | |
|--|---|-----------------|----------------|----------------|
| | Application | Material | Pkg Qty | Part # |
| | Ford 460/7.5L V8 & Mercury 3.7L 4-Cyl. | MLS .040 | 1 | CG10026 |

GM

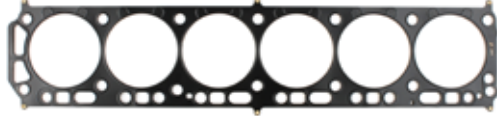
| | | | | |
|--|-------------------------|-----------------|----------------|----------------|
| | Application | Material | Pkg Qty | Part # |
| | GM 181/3.0L 4-Cyl. | MLS .045 | 1 | CG10027 |



Cometic Gasket - An Exclusive NASCAR Performance Product

MLS MARINE Head Gaskets

GM



| Application | Material | Pkg Qty | Part # |
|---------------------|----------------|---------|----------------|
| GM 250/292 L6 | MLS .040 | 1 | CG10025 |



| Application | Material | Pkg Qty | Part # |
|----------------------|----------------|---------|----------------|
| GM 262/4.3L V6 | MLS .040 | 1 | CG10028 |



| Application | Material | Pkg Qty | Part # |
|----------------------|----------------|---------|----------------|
| GM 305/5.0L V8 | MLS .040 | 1 | CG10029 |



| Application | Material | Pkg Qty | Part # |
|----------------------|----------------|---------|----------------|
| GM 350/5.7L V8 | MLS .040 | 1 | CG10030 |



| Application | Material | Pkg Qty | Part # |
|-------------------------------|----------------|---------|----------------|
| GM 454/7.4L, Mark IV V8 | MLS .040 | 1 | CG10031 |



| Application | Material | Pkg Qty | Part # |
|-----------------------------------|----------------|---------|----------------|
| GM 454/7.4L V8, Gen V/VI V8 | MLS .040 | 1 | CG10032 |



| Application | Material | Pkg Qty | Part # |
|-----------------------------------|----------------|---------|----------------|
| GM 502/8.2L V8, Gen V/VI V8 | MLS .040 | 1 | CG10033 |



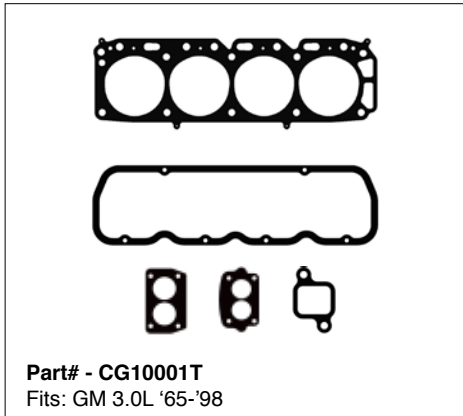
| Application | Material | Pkg Qty | Part # |
|------------------------------------|----------------|---------|----------------|
| Crusader/PCM GM 6.0L V8 (LS) | MLS .051 | 1 | CG10034 |



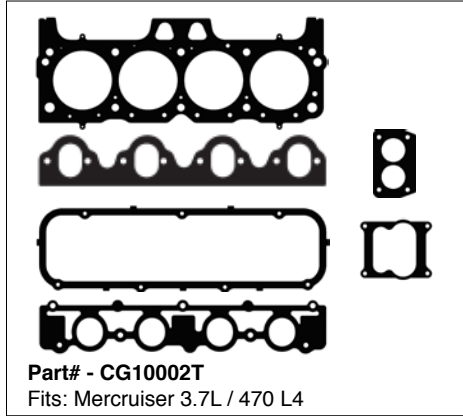
Cometic Gasket - An Exclusive NASCAR Performance Product

MARINE Pro MLS Top End Kits

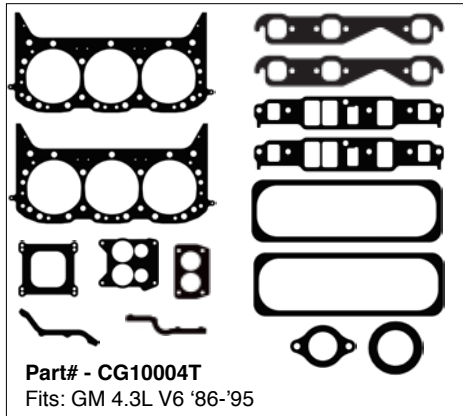
All Top End Gasket Kits are supplied with MLS Head Gaskets



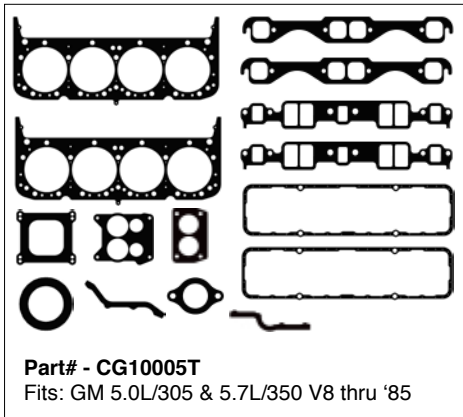
Part# - CG10001T
Fits: GM 3.0L '65-'98



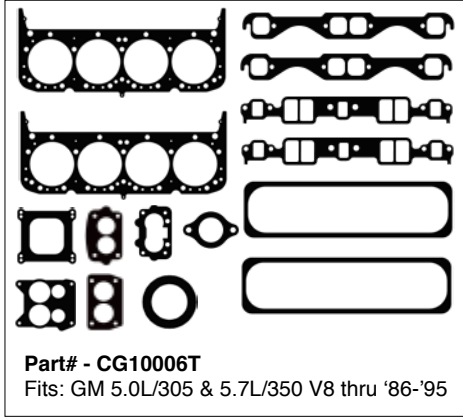
Part# - CG10002T
Fits: Mercruiser 3.7L / 470 L4



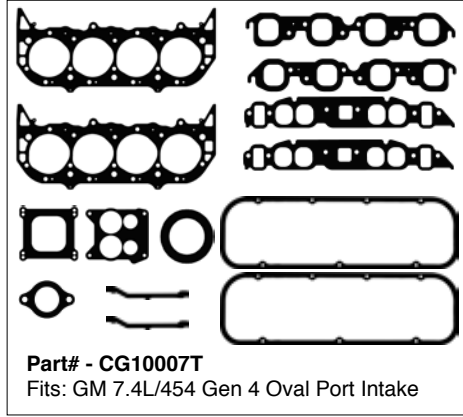
Part# - CG10004T
Fits: GM 4.3L V6 '86-'95



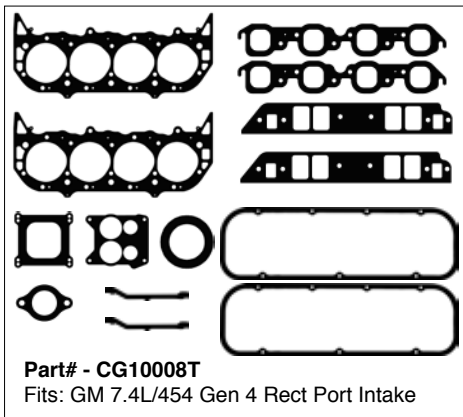
Part# - CG10005T
Fits: GM 5.0L/305 & 5.7L/350 V8 thru '85



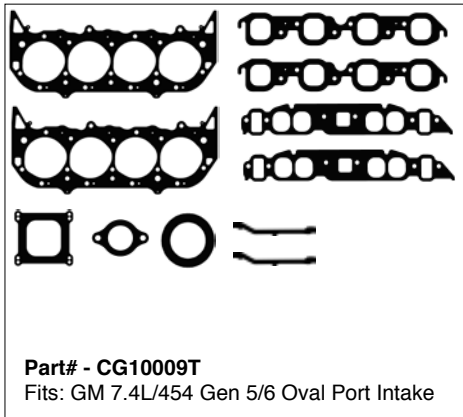
Part# - CG10006T
Fits: GM 5.0L/305 & 5.7L/350 V8 thru '86-'95



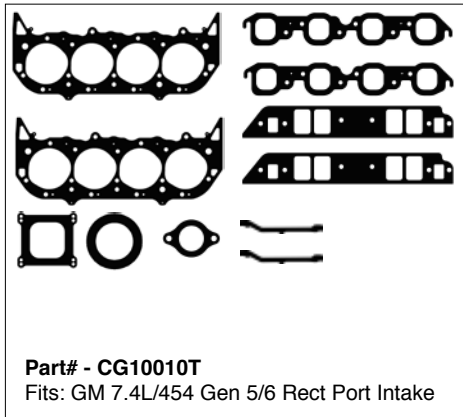
Part# - CG10007T
Fits: GM 7.4L/454 Gen 4 Oval Port Intake



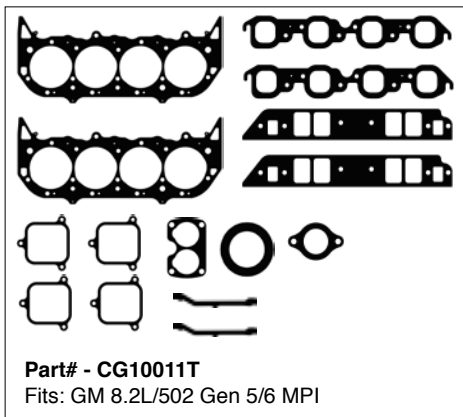
Part# - CG10008T
Fits: GM 7.4L/454 Gen 4 Rect Port Intake



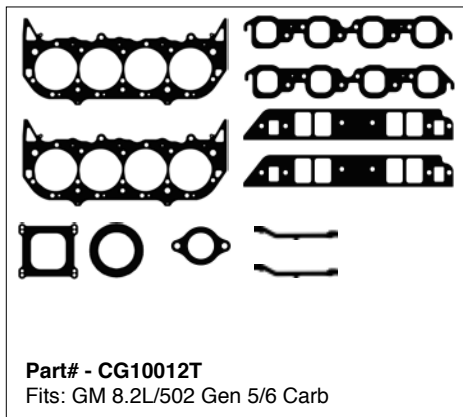
Part# - CG10009T
Fits: GM 7.4L/454 Gen 5/6 Oval Port Intake



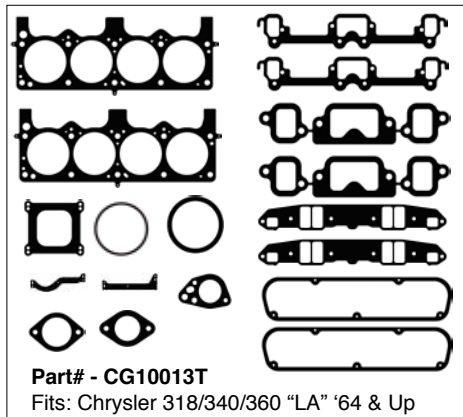
Part# - CG10010T
Fits: GM 7.4L/454 Gen 5/6 Rect Port Intake



Part# - CG10011T
Fits: GM 8.2L/502 Gen 5/6 MPI



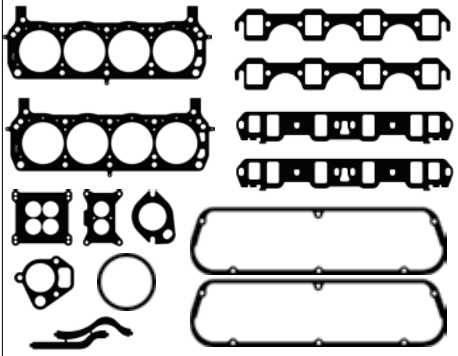
Part# - CG10012T
Fits: GM 8.2L/502 Gen 5/6 Carb



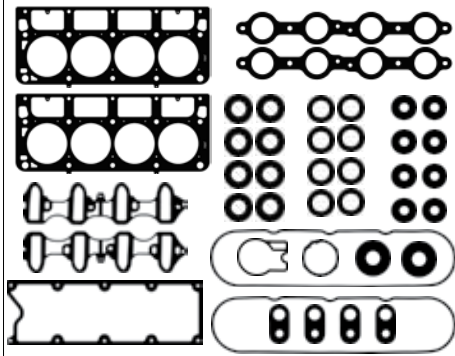
Part# - CG10013T
Fits: Chrysler 318/340/360 "LA" '64 & Up

MARINE Pro MLS Top End Kits

All Top End Gasket Kits are supplied with MLS Head Gaskets

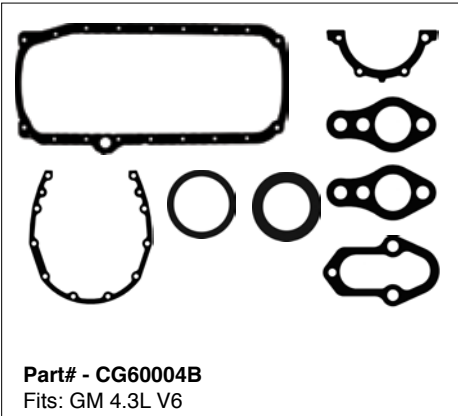


Part# - CG10014T
Fits: Ford 5.0L/302 & 5.8L/351W '77-'93

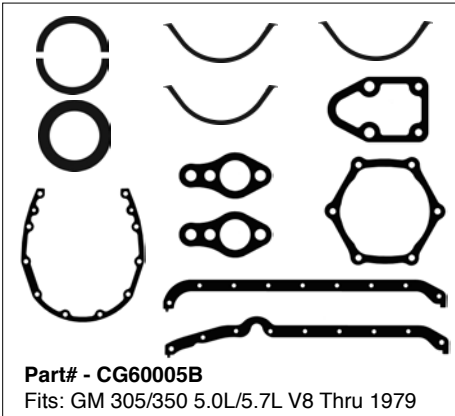


Part# - CG10015T
Fits: PCM/Crusader GM 6.0L

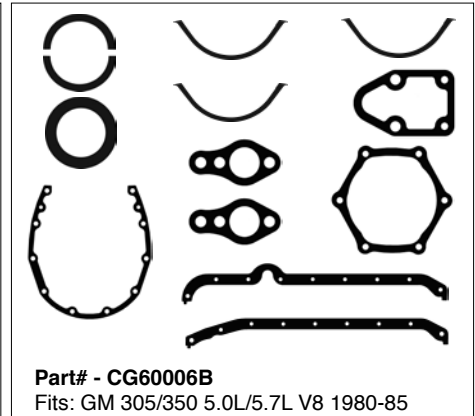
MARINE Pro Bottom End Kits



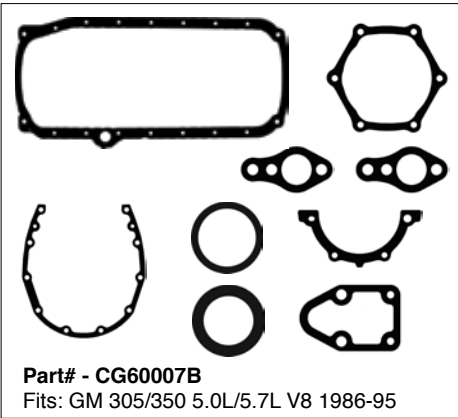
Part# - CG60004B
Fits: GM 4.3L V6



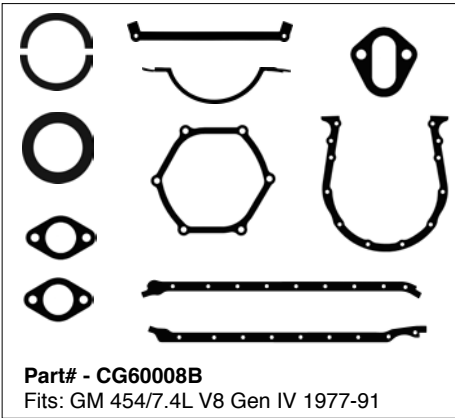
Part# - CG60005B
Fits: GM 305/350 5.0L/5.7L V8 Thru 1979



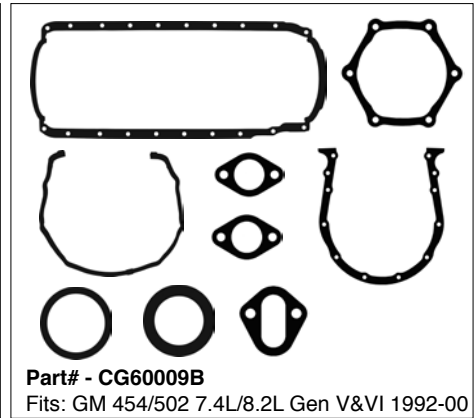
Part# - CG60006B
Fits: GM 305/350 5.0L/5.7L V8 1980-85



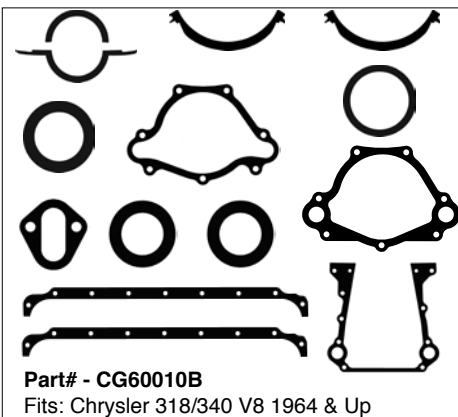
Part# - CG60007B
Fits: GM 305/350 5.0L/5.7L V8 1986-95



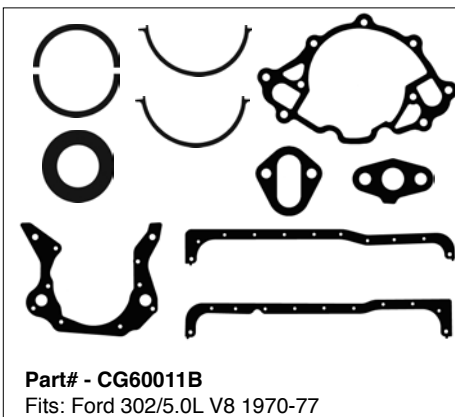
Part# - CG60008B
Fits: GM 454/7.4L V8 Gen IV 1977-91



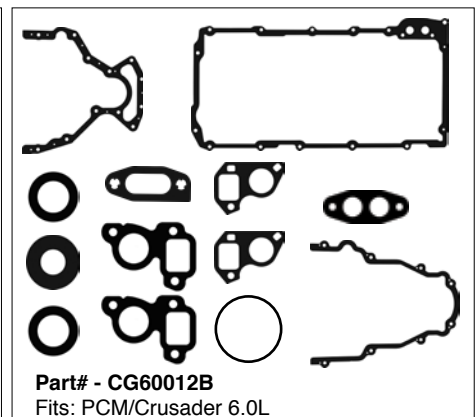
Part# - CG60009B
Fits: GM 454/502 7.4L/8.2L Gen V&VI 1992-00



Part# - CG60010B
Fits: Chrysler 318/340 V8 1964 & Up



Part# - CG60011B
Fits: Ford 302/5.0L V8 1970-77

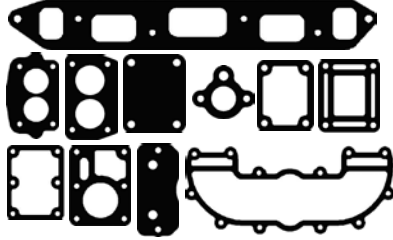


Part# - CG60012B
Fits: PCM/Crusader 6.0L

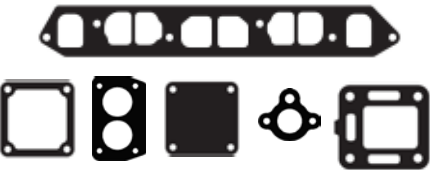


Cometic Gasket - An Exclusive NASCAR Performance Product

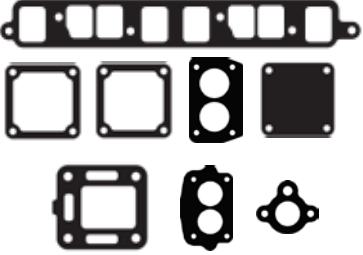
INBOARD & STERNDRIVE Exhaust Manifold Sets




Part# - CG20001ER
Exhaust Manifold Gasket Set
 Fits: Mercruiser 2.5L 110/120HP 1982 & Older
 Replaces: 27-35898A1



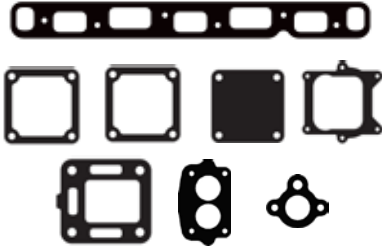
Part# - CG20002ER
Exhaust Manifold Gasket Set
 Fits: Mercruiser 2.5/3.0L 1983-95 (non-LX)
 Replaces: 27-99777A1



Part# - CG20003ER
Exhaust Manifold Gasket Set
 Fits: Mercruiser 3.0L/140 wo/Siamese Ports
 Replaces: 27-53354A1



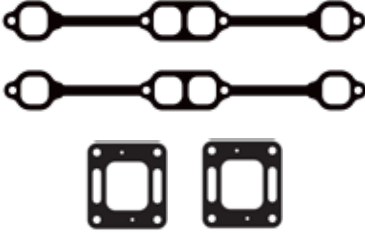
Part# - CG20016ER
Exhaust Manifold Gasket Set
 Fits: Mercruiser L4 - 3.7L/LX, 170, 470, 485, 488R, 165 & 190



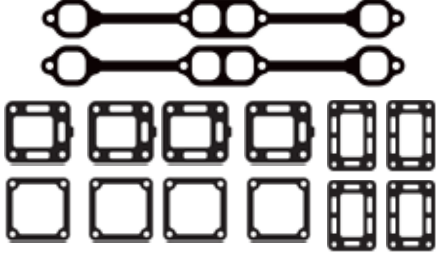
Part# - CG20004ER
Exhaust Manifold Gasket Set
 Fits: Mercruiser 160/165 L6
 Replaces: 27-46401A1



Part# - CG20005ER
Exhaust Manifold Gasket Set
 Fits: Mercruiser 4.3L/262 V6 w/Center Risers



Part# - CG20006ER
Exhaust Manifold Gasket Set
 Fits: Mercruiser 5.0L/5.7L V8 w/Center Risers



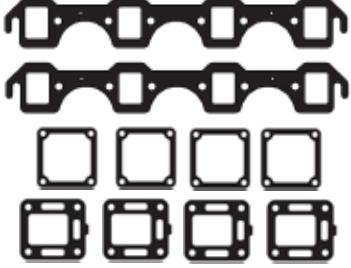
Part# - CG20007ER
Exhaust Manifold Gasket Set
 Fits: Mercruiser GM SB w/Log Style Manifolds



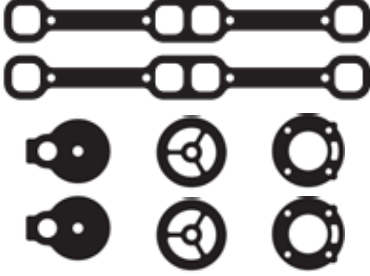
Part# - CG20008ER
Exhaust Manifold Gasket Set
 Fits: Mercruiser 454/502 w/Center Risers



Part# - CG20009ER
Exhaust Manifold Gasket Set
 Fits: Mercruiser GM 454/7.4L w/Log Style Manifolds



Part# - CG20010ER
Exhaust Manifold Gasket Set
 Fits: Mercruiser 888, 233 & 255 Ford 5.0L & 5.8L

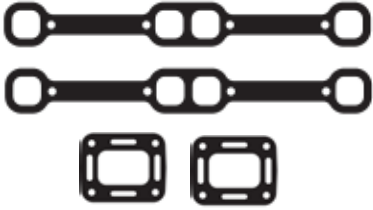


Part# - CG20025ER
Exhaust Manifold Gasket Set
 Fits: Crusader GM SB w/Early Log Style Manifolds

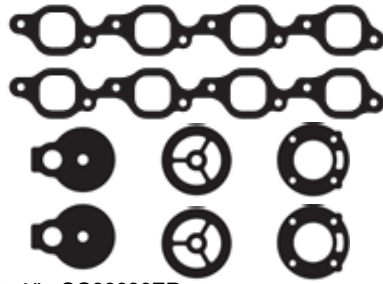


Cometic Gasket - An Exclusive NASCAR Performance Product

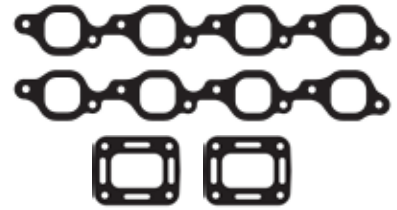
INBOARD & STERNDRIVE Exhaust Manifold Sets



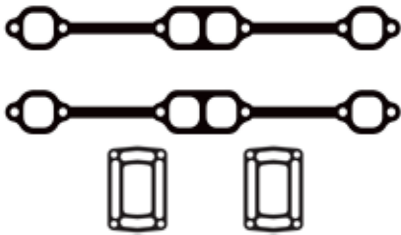
Part# - CG20028ER
Exhaust Manifold Gasket Set
 Fits: Crusader GM SB w/Center Risers



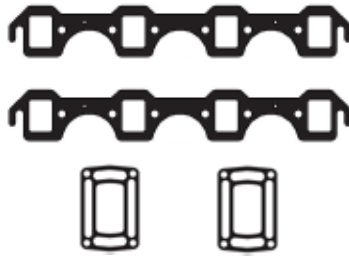
Part# - CG20026ER
Exhaust Manifold Gasket Set
 Fits: Crusader BB w/Early Log Style Manifolds



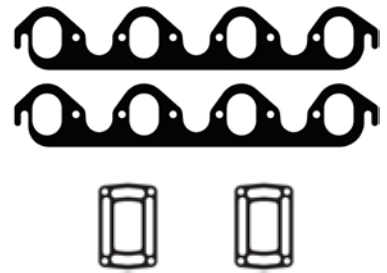
Part# - CG20027ER
Exhaust Manifold Gasket Set
 Fits: Crusader GM BB w/Center Risers



Part # - CG20013ER
Exhaust Manifold Gasket Set
 Fits: OMC GM 305/350 w/Log & Center Risers



Part# - CG20014ER
Exhaust Manifold Gasket Set
 Fits: OMC Ford 302/351



Part# - CG20015ER
Exhaust Manifold Gasket Set
 Fits: OMC Ford 460/7.5L

Exhaust Manifold

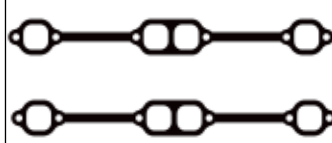
Pairs & Individual



Part # - CG20020E
 Fits: Mercury/OMC/Volvo/Yamaha GM 262/4.3L, V6
 Replaces: 27-99757, 3853412, YSC-12190-00AC



Part # - CG20021E
 Fits: Mercury/GM SB 5.0/5.7L, V8
 Replaces: 27-33395



Part # - CG20026E
 Fits: PCM/OMC/GM SB 5.0/5.7L, V8
 Replaces: RM0287



Part # - CG20027E
 Fits: Crusader/GM SB 5.0/5.7L, V8
 Replaces: 96306



Part # - CG20022E
 Fits: Mercury GM 454/502, 7.4/8.2L, V8
 Replaces: 27-46820, 3852472, 96653, YSC-22190-00-OC



Part # - CG20023E
 Fits: PCM 6.0L LS, V8
 Replaces: RM0276A



Part # - CG20024E
 Fits: Mercury/OMC/Volvo/PCM/ Ford 302/351W, V8
 Replaces: 27-73866, 3852455, 908717, RM0007



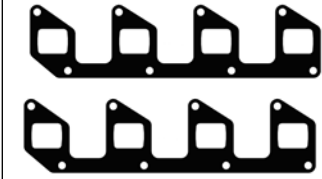
Part # - CG20025E
 Fits: Mercury 224/3.7L, L4 & Ford 460/7.5L, V8
 Replaces: 27-68715, 912405, 118-614



Cometic Gasket - An Exclusive NASCAR Performance Product

Exhaust Manifold

Pairs & Individual



Part # - CG20028E
Fits: Indmar/Ford 6.2L Raptor V8



Part # - CG20006
Fits: Mercury/OMC/GM, 110/120/2.5L, L4
Replaces: 27-52546, 311068



Part # - CG20001
Fits: Mercury/OMC/Volvo/Yamaha GM 2.5/3.0L, L4 (non-LX)
Replaces: 27-96429, 912164, YSG-12517-94-3G



Part # - CG20007
Fits: Mercury/OMC 3.0L, L4
Replaces: 27-53354, 908079



Part # - CG20048
Fits: Mercury/Volvo/GM 3.0L "HO" (Small Port)
Replaces: 27-815528, 3853256



Part # - CG20003
Fits: Mercury 224/3.7L, L4 & Ford 460/7.5L, V8
Replaces: 27-68715, 912405, 118-614



Part # - CG20008
Fits: Mercury 160/165, L6
Replaces: 27-46401A1



Part # - CG20004
Fits: Mercury/OMC/Volvo/Yamaha GM 262/4.3L, V6
Replaces: 27-99757, 3853412, YSC-12190-00AC



Part # - CG20005
Fits: Mercury/GM SB 5.0/5.7L, V8
Replaces: 27-33395



Part # - CG20016
Fits: OMC/Crusader/GM 230, 250,292, L6
Replaces: 907932



Part # - CG20017
Fits: PCM/OMC/GM SB 5.0/5.7L, V8
Replaces: RM0287



Part # - CG20013
Fits: Crusader/GM SB 5.0/5.7L, V8
Replaces: 27-46820, 3852472, 96653, YSC-22190-00-OC



Part # - CG20009
Fits: Mercury GM 454/502, 7.4/8.2L, V8
Replaces: 27-46820, 3852472, 96653, YSC-22190-00-OC



Part # - CG20002
Fits: Mercury/OMC/Volvo/PCM/ Ford 302/351W, V8
Replaces: 27-73866, 3852455, 908717, RM0007



Part # - CG20012
Fits: PCM 6.0L LS, V8
Replaces: RM0276A



Part # - CG20010
Fits: Chrysler 318-360 V8
Replaces: 2585516



Part # - CG20049
Fits: Indmar/Ford 6.2L Raptor



Part # - CG20011
Fits: Chrysler 382/440 V8



Exhaust Elbow



Part # - CG20018
 Fits: Mercury 4.3/5.0/5.7/6.2L w/
 Dry Joint Manifold
 Replaces: 27-864549A02,
 27-864547A02, 27-864850A02



Part # - CG20020
 Fits: Mercury GM
 305/307/327/350/454, V8 w/Early
 Log style Manifolds
 Replaces: 27-48042



Part # - CG20021
 Fits: Mercury 224/3.7L L4 w/Cast
 Iron Exhaust Manifold
 Replaces: 27-97542, 27-856705



Part # - CG20022
 Fits: Mercury GM V6 & V8
 w/Center Riser (non-dry joint)
 Replaces: 27-863724, 27-41813



Part # - CG20023
 Fits: Mercury GM 3.0L, L4 / 250,
 L6 & GM/Ford V8 w/Log Style
 Manifolds
 Replaces: 27-997772



Part # - CG20024
 Fits: Mercury V6 & V8 Center Riser
 (full flow)
 Replaces: 27-87105-1, 27-818832,
 27-863726



Part # - CG20025
 Fits: Mercury V6 & V8 Center Riser
 w/Closed Cooling
 Replaces: 27-860231, 27-8637251



Part # - CG20027
 Fits: Mercury 110/120 L4
 Replaces: 27-39915



Part # - CG20034
 Fits: PCM GM 5.0/5.7L w/Center
 Riser
 Replaces: RM0002



Part # - CG20070
 Fits: Chrysler 318-360 V8
 Replaces: 2847480



Part # - CG20071
 Fits: Chrysler 383/440, V8, w/
 Closed Cooling (except 413"E")
 Replaces: 17554



Part # - CG20072
 Fits: Chrysler 383/440, V8, w/Open
 Cooling (except 413"E")
 Replaces: 17554



Part # - CG20028
 Fits: Mercury 224/3.7L L4
 w/Aluminum Exhaust Manifold
 Replaces: 27-18272



Part # - CG20029
 Fits: OMC/Volvo, Many GM & Ford
 Applications
 Replaces: 3850496, 909786



Part # - CG20030
 Fits: Crusader GM V8
 w/Center Riser
 Replaces: 98214



Part # - CG20031
 Fits: Crusader GM BB CH350 &
 454XL / GM SB 220 & 270 Early
 Models
 Replaces: 96108



Part # - CG20032
 Fits: Crusader GM BB CH350 &
 454XL / GM SB 220 & 270 Early
 Models
 Replaces: 96562



Part # - CG20075
 Fits: Indmar w/V-Clamp Flange



Part # - CG20026
 Fits: PCM GM 454
 Replaces: RM0099

Exhaust Manifold End Cap




Part # - CG20035
Fits: OMC V8 w/End Risers (full flow)
Replaces: 311131



Part # - CG20037
Fits: OMC V8 w/End Risers (restricted)
Replaces: 908935




Part # - CG20036
Fits: OMC V8 Early Log Style
Replaces: 907775




Part # - CG20038
Fits: OMC GM L4, 2.5/3.0L
Replaces: 311121



Part # - CG20019
Fits: OMC/Volvo 3.0L
Replaces: 3850495, 908013



Part # - CG20039
Fits: OMC GM L4, 2.5/3.0L
Replaces: 907761



Part # - CG20040
Fits: Mercury GM 120/140 Early Models (open)
Replaces: 27-39923



Part # - CG20041
Fits: Mercury GM 120/140 Early Models (closed)
Replaces: 27-73812



Part # - CG20042
Fits: Mercury GM 120/140 Later Models (closed)
Replaces: 27-73814



Part # - CG20043
Fits: Mercury GM 120/140 Later Models (open)
Replaces: 27-480431




Part # - CG20044
Fits: Mercury GM 120/140 Early Models, 6-Hole
Replaces: 27-39917




Part # - CG20050
Fits: Mercury 110/120 w/stove pipe
Replaces: 27-39947

Intake & Fuel



Part # - CG30001
Fits: Mercury GM 110/120 L4 (early)
Replaces: 27-35898



Part # - CG30008
Fits: Mercury Mercarb 2bb
Replaces: 27-8079821



Part # - CG30009
Fits: Mercury Rochester 2bb
Replaces: 27-64692



Part # - CG30010
Fits: OMC/Volvo Rochester 2bb (open)
Replaces: 315055

Intake & Fuel



Part # - CG30011
Fits: Mercury Holley/Weber 4bb (open)
Replaces: 27-41610



Part # - CG30012
Fits: Mercury Holley 4bb
Replaces: 27-65577



Part # - CG30013
Fits: Mercury Holley 2bb, w/Bleed Holes
Replaces: 27-60715



Part # - CG30014
Fits: Rochester Q-Jet 4bb (open)
Replaces: 27-524572



Part # - CG30015
Fits: Rochester Q-Jet 4bb (4 hole)
Replaces: 27-48399




Part # - CG30043 AFM
Fits: GM V8/Ford SB V8/Chrysler SB V8 (2 Hole)
Replaces: 27-34213, 3852095, 91340



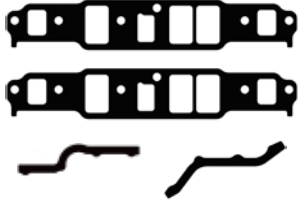
Part # - CG30044 AFM
Fits: GM SB V8 (4 Hole)
Replaces: 27-34898




Part # - CG30045
Fits: GM V6 4.3L
Replaces: 27-42457, 910102



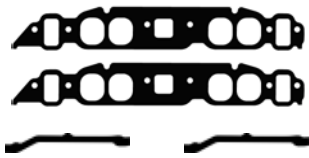
Part # - CG30003
Fits: Mercury L4 3.7L/470, OMC Ford V8 460
Replaces: 27-70905, 912405



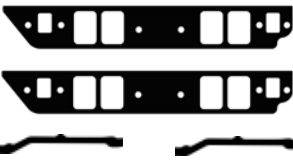
Part # - CG30001K
Fits: GM 4.3L V6
Replaces: 27-11977, 912978



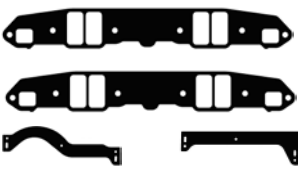
Part # - CG30002K
Fits: GM 5.7L/5.0L V8 (non-Vortec)
Replaces: 27-17145, 3854269




Part # - CG30003K
Fits: GM 454/502 w/Oval Port
Replaces: 27-8M0050224



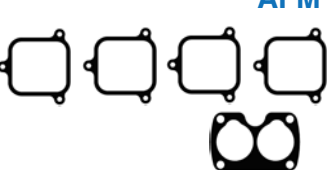
Part # - CG30004K
Fits: GM 454/502 w/Rect. Port
Replaces: 27-818188 1



Part # - CG30005K
Fits: Chrysler 318-360
Replaces: 2808654



Part # - CG30006K
Fits: Ford 302/351W
Replaces: 27-75648




Part # - CG30020K AFM
Fits: Mercury 454/502 Mag MPI (Gen V & VI)
Replaces: 27-805522A1



Part # - CG30023K
Fits: Mercarb / TKS Carburetors
Replaces: 3310-810929004



Cooling



Part # - CG80021
Part # - CG80077 (AFM)
 Fits: Mercury L4 & L6
 Replaces: 27-475901



Part # - CG80022
 Fits: Mercury 120 L4 (6-hole)
 Replaces: 27-39914




Part # - CG80001
 Fits: GM L4 & L6
 Replaces: 27-8146801, 3852096




Part # - CG80003
 Fits: Ford 302/351W
 Replaces: 27-56880, 3852824




Part # - CG80004
 Fits: GM L4 & L6
 Replaces: 27-33956, 3853342




Part # - CG80002
Part # - CG80078 (AFM)
 Fits: Mercury V6 & V8 w/Ground Rivets
 Replaces: 27-530451



Part # - CG80005
Part # - CG80079 (AFM)
 Fits: Mercury V6 & V8 w/Closed Bypass
 Replaces: 27-41812




Part # - CG80006
Part # - CG80080 (AFM)
 Fits: Mercury V6 & V8 w/Open Bypass
 Replaces: 27-488181




Part # - CG80007
Part # - CG80081 (AFM)
 Fits: Mercury L4, V6 & V8 T-Stat Cover
 Replaces: 27-331792



Part # - CG80008
 Fits: Ford 302/351W
 Replaces: 27-60208




Part # - CG80010
 Fits: Chrysler 318-360
 Replaces: High Performance AFM




Part # - CG80011
 Fits: Chrysler 318-360 w/Small Design
 Replaces: 50082




Part # - CG80012
 Fits: Chrysler 318-360 w/Large Design




Part # - CG80040
 Fits: GM 4.3L V6 & SB V8
 Replaces: '27-34897, 3852477, 909835



Part # - CG80041
 Fits: GM 545/502
 Replaces: '27-49110, 3853361, 300206



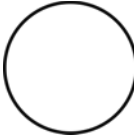
Part # - CG80049
 Fits: GM 545/502




Part # - CG80050
 Fits: GM 4.3L V6 & SB V8
 Replaces: 27-35380, 3850595



Part # - CG80042
 Fits: PCM / Crusader / GM 6.0L V8
 Replaces: RM0281 (Aluminum)




Part # - CG80043
 Fits: PCM / Crusader / GM 6.0L V8




Part # - CG80044
 Fits: PCM / Crusader / GM 6.0L V8
 Replaces: RM0281 (Paper)

Cooling



AFM

Part # - CG80046
 Fits: Chrysler 318-360
 Replaces: 2129013




AFM


Part # - CG80047
 Fits: Chrysler 318-360 (w/Dual Impellers)
 Replaces: 4492300




Valve Cover




Part# - CG40001
 Fits: Mercury L4 3.7L/470, OMC Ford V8 460
 Replaces: 27-73666



Part# - CG40003
 Fits: GM 5.7L/5.0L V8 thru '85
 Replaces: 27-11999, 912965




Part# - CG40004
 Fits: GM 5.7L/5.0L V8 w/Center Bolts
 Replaces: 27-17467, 913270,



Part# - CG40005
 Fits: GM 454/502 V8 thru '92
 Replaces: 27-49121, 912768



Part# - CG40010
 Fits: GM 4.3L V6 w/Stamped Steel Covers
 Replaces: 27-11988, 3854942

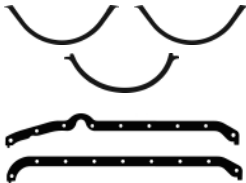


Part# - CG40006
 Fits: Chrysler 318-360
 Replaces: 2951267, 4273129




Part# - CG40007
 Fits: Ford 302/351W
 Replaces: 27-56173, 913758, 3852818

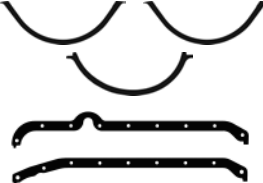
Oil Pan & Sump




Part# - CG60001
 Fits: GM SB V8 W/L.H. Dip Stick
 Replaces: 27-85817A1, 393159, 458625, RM0130



Part# - CG60002
 Fits: GM 4.3L V6 (1pc Flat)
 Replaces: 27-883964, 3852655, 912955



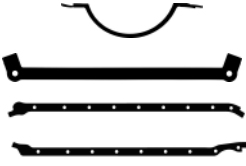
Part# - CG60003
 Fits: GM SB V8 W/R.H. Dip Stick
 Replaces: 27-90458A1, 458625, 357159, 508876, RM0131




Part# - CG60004
 Fits: GM SB 5.0L/5.7L V8 (1pc)
 Replaces: 27-138651, 3856138, RM0249



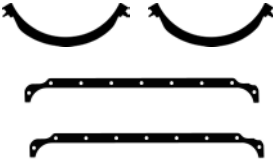
Oil Pan & Sump



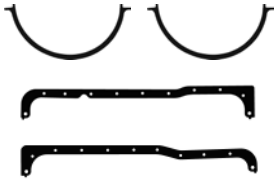
Part# - CG60005
 Fits: GM 454/502 GEN IV/V
 Replaces: 27-52550, 3931593, 508871, 22048




Part# - CG60006
 Fits: GM 454/502 GEN VI (1PC)
 Replaces: 27-811566, 3853510, 31138



Part# - CG60007
 Fits: Chrysler M273, LM318 & M340 (w/steel pan)
 Replaces: 3514157(w/steel pan)



Part# - CG60008
 Fits: Ford 302
 Replaces: 27-64798, 508872, RM0025




Part# - CG60020
 Fits: GM 3.0L/4.3L/5.0L/5.7L
 Replaces: 27-881715, 3852656




Part# - CG60030
 Fits: Ford 302/351W
 Replaces: 27-56859, 914554



Part# - CG60009
 Fits: PCM / Crusader / GM 6.0L V8
 Replaces: RM0279



Part# - CG60010
 Fits: PCM / Crusader / GM 6.0L V8
 Replaces: 12639249, BS40640




Part# - CG60031
 Fits: PCM / Crusader / GM 6.0L V8

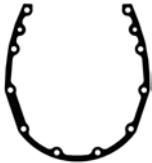


Part# - CG60032
 Fits: PCM / Crusader / GM 6.0L V8
 Replaces: RM0284


Timing Cover




Part# - CG50001
 Fits: GM L4/L6
 Replaces: 27-49953, 3852691



Part# - CG50002
 Fits: GM 4.3L V6 thru '92, 5.0L/5.7L thru '95
 Replaces: 27-14250, 3852654, 3853512




Part# - CG50003
 Fits: GM 545/502 thru '95
 Replaces: 27-54529, 3935449, 30240



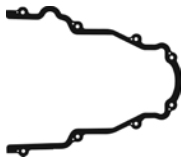
Part# - CG50004
 Fits: GM 545/502 '96 & up
 Replaces: 27-850456



Part# - CG50005
 Fits: Chrysler M273, LM318 & M340
 Replaces: 2129012



Part# - CG50006
 Fits: Ford 302/351W
 Replaces: 27-56108, 913705



Part# - CG50007
 Fits: PCM / Crusader / GM 6.0L V8
 Replaces: RM0280


Miscellaneous Seals, Gaskets & O-Rings




Part# - CG90001
Distributor Gskt.
 Fits: GM V6 & V8
 Replaces: 27-344863, 3852109



Part# - CG90003
Distributor Gskt.
 Fits: Chrysler V8
 Replaces: 1326836



Part# - CG90010
Cam Retainer Plate
 Fits: PCM / Crusader / GM 6.0L V8
 Used w/Tapered Bolts
 Replaces: 12589016



Part# - CG90030
Rear Main Seal
 Fits: GM 2.5L/3.0L L4, 4.3L V6 & SB V8 Std (LH) Rotation (2 pc)
 Replaces: 26-814622, 3852805, 473424, RO47172



Part# - CG90031 - Yellow
Rear Main Seal
 Fits: GM 2.5L/3.0L L4, 4.3L V6 & SB V8 Rev (RH) Rotation (2 pc)
 Replaces: 26-35313, RO47174



Part# - CG90032
Rear Main Seal
 Fits: GM 3.0L L4, 4.3L V6 & SB V8 Std Rotation (1 pc)
 Replaces: 26-14240, 3852657, 912957, RO47173A




Part# - CG90033
Rear Main Seal
 Fits: GM Big Block Gen IV (2 pc)
 Replaces: 26-8M0062773, 3853528, 31153




Part# - CG90034
Rear Main Seal
 Fits: GM Big Block Gen V & VI (1 pc)
 Replaces: 26-811554, 3853528,



Part# - CG90035
Rear Main Seal
 Fits: Ford SB 302 V8 (2 pc)
 Replaces: 26-56868



Part# - CG90036
Rear Main Seal
 Fits: Chrysler 318/340 "LA" V8 (2 pc)



Part# - CG90037
Rear Main Seal
 Fits: PCM / Crusader / GM 6.0L V8
 Replaces: RO47236



Part# - CG90038
Timing Cover Seal
 Fits: GM 2.5L/3.0L L4, 4.3L V6 & SB V8
 Replaces: 26-97335, 33381



Part# - CG90039
Timing Cover Seal
 Fits: GM Big Block Gen IV, V & VI
 Replaces: 26-49154, 30036





Cometic Gasket - An Exclusive NASCAR Performance Product

Miscellaneous Seals, Gaskets & O-Rings



Part# - CG90040
Timing Cover Seal
Fits: Ford SB 302 V8
Replaces: 26-56866



Part# - CG90041
Timing Cover Seal
Fits: Chrysler 318/340 "LA" V8
(Raw Water Cooled)
Replaces: 2899532



Part# - CG90042
Timing Cover Seal
Fits: PCM / Crusader / GM 6.0L V8
Replaces: RO47237



Part# - CG90043
Rear Main Seal
Fits: Fits Ford 351
(w/1pc. Rear Seal)
Replaces: 0913746

Drive & Lower Unit



Part# - CG70020
Water Pocket
Fits: Mercury MC-1, R, MR,
Alpha I
Replaces: 27-55810



Qty. - 5

Part# - CG700295
Drain Plug @ 5
Fits: Yamaha OB &
Mercury OB (Japan)
Replaces: 90430-08020-00,
27-81987M



Qty. - 25

Part# - CG7002925
Drain Plug @ 25
Fits: Yamaha OB &
Mercury OB (Japan)
Replaces: 90430-08020-00,
27-81987M



Qty. - 5

Part# - CG700305
Drain Plug @ 5
Fits: Mercury OB & IB
Replaces: 12-191832



Qty. - 25

Part# - CG7003025
Drain Plug @ 25
Fits: Mercury OB & IB
Replaces: 12-191832



Qty. - 5

Part# - CG700315
Drain Plug @ 5
Fits: Johnson, Evinrude & OMC
Replaces: 311598



Qty. - 25

Part# - CG7003125
Drain Plug @ 25
Fits: Johnson, Evinrude & OMC
Replaces: 311598





Cometic Gasket - An Exclusive NASCAR Performance Product

CROSS REFERENCE GUIDE

| BARR | |
|--------------------|-----------|
| BARR # | COMETIC # |
| CHV-47-000..... | CG20013 |
| CM-1-5972P..... | CG20011 |
| CM-1-6672P..... | CG20010 |
| CR47-C-96108..... | CG20031 |
| CR47-C-96562..... | CG20032 |
| MC47-27-41813..... | CG20022 |
| MC47-27-46401..... | CG20008 |
| MC47-27-46820..... | CG20009 |
| MC47-27-48042..... | CG20020 |
| MC47-27-58764..... | CG30041 |
| MC47-27-70143..... | CG30008 |
| MC47-27-73814..... | CG20042 |
| MC47-27-73866..... | CG20002 |
| MC47-27-97542..... | CG20021 |
| MC47-27-97863..... | CG20028 |
| MC47-27-99757..... | CG20004 |
| MC47-27-99777..... | CG20023 |
| OMC47-907761..... | CG20039 |
| OMC47-908013..... | CG20019 |
| OMC47-909786..... | CG20029 |
| MC47-27-33146..... | CG80068 |
| MC47-32433..... | CG80069 |
| MC47-27-32434..... | CG80070 |
| MC47-27-94915..... | CG80075 |
| CHV-47-000..... | CG20051 |

| CHRIS CRAFT | |
|------------------|-----------|
| CHRIS CRAFT # | COMETIC # |
| 16.11-01236..... | CG40003 |
| 16.50-00074..... | CG30043 |
| 16.50-00078..... | CG80040 |
| 16.50-00162..... | CG90001 |
| 16.50-00204..... | CG10027* |
| 16.50-00232..... | CG30002K |
| 16.50-00250..... | CG10029* |
| 16.50-00250..... | CG10030* |
| 16.50-00259..... | CG10031* |
| 16.50-05756..... | CG30044 |

* Indicates MLS Gasket

| CHRYSLER | |
|--------------|-----------|
| CHRYSLER # | COMETIC # |
| 17059..... | CG10023* |
| 2847480..... | CG20070 |
| 2899532..... | CG90041 |
| 3549392..... | CG90036 |
| 3577870..... | CG30043 |
| 3745220..... | CG20010 |
| 3745307..... | CG10021* |
| 4142880..... | CG10020* |
| 4492300..... | CG80047 |
| 2585516..... | CG20055* |

* Indicates MLS Gasket

| CRUSADER | |
|------------|-----------|
| CRUSADER # | COMETIC # |
| 20018..... | CG90038 |
| 20129..... | CG50002 |
| 21005..... | CG30002K |
| 30036..... | CG90039 |
| 30240..... | CG50003 |
| 30266..... | CG10031* |
| 31137..... | CG10032* |
| 31137..... | CG10033* |
| 31137..... | CG10033* |
| 31137..... | CG10032 |
| 31153..... | CG90033 |
| 33384..... | CG30045 |
| 33393..... | CG30001K |
| 91341..... | CG30044 |
| 91351..... | CG40003 |
| 96108..... | CG20031 |

* Indicates MLS Gasket

| CRUSADER (cont.) | |
|------------------|-----------|
| CRUSADER # | COMETIC # |
| 96306..... | CG20013 |
| 96562..... | CG20032 |
| 96653..... | CG20009 |
| 98127..... | CG20030 |
| 3705042..... | CG30043 |
| 7057500..... | CG10029* |
| 7057500..... | CG10030* |
| 7090190..... | CG60002 |
| 7231330..... | CG40004 |
| 71510000..... | CG30002K |
| 118-614..... | CG20003 |
| R047172..... | CG90030 |
| R047173A..... | CG90032 |
| R047174..... | CG90031 |
| R047205..... | CG90034 |
| R047220..... | CG90039 |
| RM0193..... | CG40004 |
| RM0230..... | CG60006 |
| RM0249..... | CG60004 |
| RM0276A..... | CG20012 |
| RM0278..... | CG10034 |
| RO47236..... | CG90037 |
| RO47237..... | CG90042 |
| RO47041A..... | CG90043 |
| RM0287..... | CG20051* |
| RM0276..... | CG20057* |
| RM0294..... | CG20052* |
| 97498..... | CG20059* |

* Indicates MLS Gasket

| FEL-PRO | |
|--------------|-----------|
| FEL-PRO # | COMETIC # |
| 17000..... | CG10027* |
| 17001..... | CG10028* |
| 17002..... | CG10030* |
| 17003..... | CG10031* |
| 17003..... | CG10032* |
| 17004..... | CG10033* |
| 17008..... | CG10024* |
| 17019..... | CG10025* |
| 17020..... | CG10029* |
| 17069..... | CG10026* |
| 17302..... | CG20001 |
| 17420..... | CG20013 |
| 17450..... | CG20010 |
| 17459..... | CG20011 |
| 17459..... | CG20011 |
| 17550..... | CG20045 |
| 17554..... | CG20047 |
| 17600..... | CG80001 |
| 17820..... | CG30009 |
| 17822..... | CG30010 |
| 17823..... | CG30008 |
| 17824..... | CG30013 |
| 17840..... | CG30011 |
| 17841..... | CG30012 |
| 17852..... | CG30020K |
| 17852-A..... | CG30020 |
| 17852-B..... | CG30021 |
| 17900..... | CG40002 |
| 17971..... | CG60002 |
| 17982..... | CG60004 |
| BS40013..... | CG90030 |
| BS40520..... | CG90032 |

* Indicates MLS Gasket

| GLM | |
|------------|-----------|
| GLM # | COMETIC # |
| 27105..... | CG80002 |
| 27105..... | CG80078 |
| 30190..... | CG20044 |
| 30200..... | CG20050 |
| 30220..... | CG20025 |
| 30240..... | CG20022 |
| 30345..... | CG30030 |
| 30350..... | CG40005 |
| 30351..... | CG30001K |
| 30353..... | CG40003 |
| 30354..... | CG60020 |
| 30357..... | CG40004 |
| 30359..... | CG40010 |
| 30360..... | CG50001 |
| 30380..... | CG30014 |
| 30440..... | CG50003 |
| 30470..... | CG40007 |
| 30510..... | CG30041 |
| 30530..... | CG50002 |
| 30580..... | CG30013 |
| 30860..... | CG30002K |
| 30910..... | CG20040 |
| 30920..... | CG20042 |
| 31100..... | CG20005 |
| 31150..... | CG70020 |
| 31340..... | CG80001 |
| 31350..... | CG80004 |
| 31370..... | CG90001 |
| 31380..... | CG80040 |
| 31390..... | CG30001 |
| 31410..... | CG20027 |
| 31420..... | CG20041 |
| 31430..... | CG80021 |
| 31440..... | CG20008 |
| 31480..... | CG20020 |
| 31490..... | CG20043 |
| 31510..... | CG80006 |
| 31520..... | CG20023 |
| 31540..... | CG30015 |
| 31550..... | CG20006 |
| 31570..... | CG20007 |
| 31620..... | CG80008 |
| 31631..... | CG80005 |
| 31631..... | CG80079 |
| 31660..... | CG30009 |
| 31670..... | CG80007 |
| 31710..... | CG20003 |
| 31750..... | CG30003 |
| 31770..... | CG80041 |
| 31900..... | CG80003 |
| 32080..... | CG20024 |
| 32130..... | CG30012 |
| 32170..... | CG20004 |
| 32180..... | CG30008 |
| 32210..... | CG40002 |
| 32460..... | CG20021 |
| 32470..... | CG20028 |
| 32580..... | CG20039 |
| 33040..... | CG40001 |
| 33330..... | CG20038 |
| 33570..... | CG20001 |
| 33580..... | CG20048 |
| 33760..... | CG20009 |
| 33770..... | CG20019 |
| 33790..... | CG20002 |
| 33810..... | CG20029 |
| 34700..... | CG30010 |
| 36100..... | CG10028* |
| 36110..... | CG10031* |
| 36120..... | CG10026* |
| 36140..... | CG10025* |
| 36150..... | CG10027* |
| 36160..... | CG10029* |

* Indicates MLS Gasket

| GLM (cont.) | |
|-------------|-----------|
| GLM # | COMETIC # |
| 36160..... | CG10030* |
| 36170..... | CG10024 |
| 36180..... | CG10032 |
| 39120..... | CG20009ER |
| 39160..... | CG60008 |
| 39170..... | CG30003K |
| 39270..... | CG20004ER |
| 39280..... | CG20007ER |
| 39290..... | CG20001ER |
| 39300..... | CG20003ER |
| 39310..... | CG20010ER |
| 39320..... | CG20002ER |
| 39490..... | CG60005 |
| 39652..... | CG10006T |
| 39680..... | CG10014T |
| 39690..... | CG10005T |
| 39730..... | CG30045 |
| 39840..... | CG60002 |
| 39850..... | CG60004 |
| 39870..... | CG20005ER |
| 39880..... | CG20006ER |
| 39890..... | CG20008ER |
| 85490..... | CG90030 |
| 85780..... | CG90038 |
| 85960..... | CG90033 |
| 87160..... | CG90034 |
| 38010..... | CG80051 |
| 38011..... | CG80052 |
| 38106..... | CG80053 |
| 38002..... | CG80054 |
| 38003..... | CG80055 |
| 38001..... | CG80056 |
| 38005..... | CG80057 |
| 38004..... | CG80058 |
| 31080..... | CG80065 |
| 31070..... | CG80066 |
| 31060..... | CG80067 |
| 31040..... | CG80068 |
| 31010..... | CG80069 |
| 31020..... | CG80070 |
| 31050..... | CG80071 |
| 31240..... | CG80072 |
| 30090..... | CG80073 |
| 30320..... | CG80074 |
| 32740..... | CG80075 |
| 39622..... | CG70001K |
| 31710..... | CG20054* |
| 32170..... | CG20059* |
| 33790..... | CG20053* |
| 31100..... | CG20051* |
| 33760..... | CG20052* |

* Indicates MLS Gasket

| INDMAR | |
|--------------|-----------|
| INDMAR # | COMETIC # |
| S551604..... | CG60004 |
| S551608..... | CG50002 |
| S551607..... | CG30002K |

| MALLORY | |
|--------------|-----------|
| MALLORY # | COMETIC # |
| 9-46401..... | CG20008 |
| 9-60006..... | CG80005 |
| 9-60007..... | CG80002 |
| 9-60008..... | CG80007 |
| 9-60009..... | CG80002 |
| 9-60010..... | CG80006 |
| 9-60011..... | CG80008 |
| 9-60012..... | CG80021 |
| 9-60037..... | CG70020 |
| 9-60065..... | CG80040 |
| 9-60066..... | CG80041 |
| 9-60067..... | CG80004 |



Cometic Gasket - An Exclusive NASCAR Performance Product

CROSS REFERENCE GUIDE

| MALLORY (cont.) | |
|------------------------|-----------|
| MALLORY # | COMETIC # |
| 9-60074 | CG80001 |
| 9-61001 | CG30011 |
| 9-61003 | CG30015 |
| 9-61004 | CG30014 |
| 9-61005 | CG30041 |
| 9-61006 | CG30013 |
| 9-61007 | CG30009 |
| 9-61009 | CG30012 |
| 9-61011 | CG30008 |
| 9-61041 | CG30043 |
| 9-61042 | CG30044 |
| 9-61200 | CG30002K |
| 9-61202 | CG30004K |
| 9-61204 | CG30006K |
| 9-61214 | CG30030 |
| 9-61217 | CG30004K |
| 9-61221 | CG30001K |
| 9-61300 | CG40003 |
| 9-61302 | CG40005 |
| 9-61305 | CG40004 |
| 9-61307 | CG40007 |
| 9-61313 | CG40001 |
| 9-61316 | CG40010 |
| 9-61317 | CG40002 |
| 9-61400 | CG20009 |
| 9-61401 | CG20005 |
| 9-61402 | CG20007ER |
| 9-61403 | CG20001ER |
| 9-61404 | CG20004ER |
| 9-61405 | CG20003ER |
| 9-61406 | CG20002ER |
| 9-61407 | CG20023 |
| 9-61408 | CG20044 |
| 9-61409 | CG20041 |
| 9-61409 | CG20040 |
| 9-61411 | CG20021 |
| 9-61412 | CG20028 |
| 9-61413 | CG20022 |
| 9-61414 | CG20024 |
| 9-61416 | CG20008 |
| 9-61416 | CG20016 |
| 9-61417 | CG20007 |
| 9-61418 | CG20003 |
| 9-61419 | CG20001 |
| 9-61420 | CG20002 |
| 9-61421 | CG20004 |
| 9-61422 | CG20025 |
| 9-61423 | CG20027 |
| 9-61424 | CG20043 |
| 9-61426 | CG20006 |
| 9-61427 | CG20010 |
| 9-61428 | CG20048 |
| 9-61429 | CG20018 |
| 9-61430 | CG20018 |
| 9-61453 | CG20005ER |
| 9-61454 | CG20008ER |
| 9-61455 | CG20006ER |
| 9-61501 | CG60005 |
| 9-61502 | CG60008 |
| 9-61504 | CG60004 |
| 9-61505 | CG60002 |
| 9-61508 | CG60006 |
| 9-61511 | CG60020 |
| 9-61600 | CG50002 |
| 9-61601 | CG50003 |
| 9-61602 | CG50001 |
| 9-61610 | CG90038 |
| 9-61612 | CG90039 |
| 9-61620 | CG90030 |
| 9-61621 | CG90032 |
| 9-61622 | CG90034 |
| 9-91623 | CG90043 |
| 9-61624 | CG90033 |
| 9-61628 | CG90031 |

| MALLORY | |
|----------------|-----------|
| MALLORY # | COMETIC # |
| 9-61704 | CG10014T |
| 9-61705 | CG10001T |
| 9-61707 | CG10005T |
| 9-61708 | CG10006T |
| 9-63700 | CG10027 |
| 9-63701 | CG10031 |
| 9-63702 | CG10026 |
| 9-63703 | CG10032* |
| 9-63703 | CG10033* |
| 9-63704 | CG10027 |
| 9-63705 | CG10025 |
| 9-63706 | CG10029* |
| 9-63706 | CG10030* |
| 9-63707 | CG10028 |
| 9-63708 | CG10024 |
| 9-65100 | CG20019 |
| 9-65300 | CG20045 |
| 9-65301 | CG20047 |
| 9-65302 | CG20046 |
| 9-65400 | CG20031 |
| 9-65401 | CG20032 |
| 9-65402 | CG20030 |
| 9-65700 | CG20034 |
| 9-61626 | CG90043 |
| 9-60381 | CG80051 |
| 9-60307 | CG80052 |
| 9-60376 | CG80053 |
| 9-60382 | CG80054 |
| 9-60308 | CG80055 |
| 9-60378 | CG80056 |
| 9-60309 | CG80057 |
| 9-60380 | CG80058 |
| 9-60030 | CG80065 |
| 9-60029 | CG80066 |
| 9-60039 | CG80067 |
| 9-60036 | CG80068 |
| 9-60034 | CG80069 |
| 9-60035 | CG80070 |
| 9-60031 | CG80071 |
| 9-60023 | CG80072 |
| 9-60020 | CG80073 |
| 9-60022 | CG80074 |
| 9-61012 | CG70001K |
| 9-61427 | CG20055 |
| 9-61420 | CG20053 |
| 9-61401 | CG20051 |
| 9-61400 | CG20052 |
| 9-61421 | CG20059 |

* Indicates MLS Gasket

| MERCURY | |
|----------------|----------------|
| MERCURY# | COMETIC # |
| 12-191832 | CG700305 @ 5 |
| 12-191832 | CG7003025 @ 25 |
| 27-845628 | CG60006 |
| 27-8637251 | CG20025 |
| 27-881715 | CG60020 |
| 27-8M0049045 | CG10031* |
| 26-14240 | CG90032 |
| 26-35313 | CG90031 |
| 26-49154 | CG90039 |
| 26-56866 | CG90040 |
| 26-56868 | CG90035 |
| 26-58203 | CG90030 |
| 26-59341 | CG90038 |
| 26-79223 | CG90038 |
| 26-811554 | CG90034 |
| 26-814622 | CG90030 |
| 26-8219471 | CG90039 |
| 26-8M0062773 | CG90033 |
| 26-90925 | CG90043 |
| 26-97335 | CG90038 |

* Indicates MLS Gasket

| MERCURY (cont.) | |
|------------------------|-----------|
| MERCURY# | COMETIC # |
| 27-11977 | CG30001K |
| 27-11986 | CG10028* |
| 27-11988 | CG40010 |
| 27-11999 | CG40003 |
| 27-13687 | CG10031* |
| 27-13709T | CG10026* |
| 27-138651 | CG60004 |
| 27-14247 | CG60002 |
| 27-14250 | CG50002 |
| 27-14756 | CG90033 |
| 27-14765 | CG40005 |
| 27-17145 | CG30002K |
| 27-32771 | CG40004 |
| 27-18272 | CG20028 |
| 27-19551 | CG80066 |
| 27-19553 | CG80067 |
| 27-32771 | CG80065 |
| 27-331792 | CG80081* |
| 27-331792 | CG80007 |
| 27-33395 | CG20005 |
| 27-33395 | CG20051* |
| 27-33395A2 | CG20007ER |
| 27-33956 | CG80004 |
| 27-34213 | CG30043 |
| 27-344863 | CG90001 |
| 27-34897 | CG80040 |
| 27-34898 | CG30044 |
| 27-35380 | CG80050 |
| 27-35898A-4 | CG20001ER |
| 27-35898T | CG30001 |
| 27-39915 | CG20027 |
| 27-39917 | CG20044 |
| 27-39923 | CG20041 |
| 27-39947 | CG20050 |
| 27-41610 | CG30011 |
| 27-41812 | CG80079* |
| 27-41812 | CG80005 |
| 27-41813 | CG20022 |
| 27-42457 | CG30045 |
| 27-426311 | CG80071 |
| 27-430331 | CG80073 |
| 27-430472 | CG80074 |
| 27-46401 | CG20008 |
| 27-46401A1 | CG20004ER |
| 27-46820 | CG20009 |
| 27-46820 | CG20052* |
| 27-46820A1 | CG20009ER |
| 27-47453 | CG10025* |
| 27-475901 | CG80077* |
| 27-475901 | CG80021 |
| 27-48042 | CG20020 |
| 27-48043 | CG20043 |
| 27-48399 | CG30015 |
| 27-488181 | CG80080* |
| 27-488181 | CG80006 |
| 27-49110 | CG80041 |
| 27-49121 | CG40005 |
| 27-49953 | CG50001 |
| 27-52145 | CG40002 |
| 27-52364 | CG10027* |
| 27-524572 | CG30014 |
| 27-52546 | CG20006 |
| 27-530451 | CG80078* |
| 27-530451 | CG80002 |
| 27-53354 | CG20007 |
| 27-53354A1 | CG20003ER |
| 27-54529 | CG50003 |
| 27-54566A1 | CG20010ER |
| 27-55810 | CG70020 |
| 27-55810-1 | CG70020 |
| 27-56173 | CG40007 |
| 27-56880 | CG80003 |
| 27-58764 | CG30041 |

* Indicates MLS Gasket

| MERCURY | |
|----------------|----------------|
| MERCURY# | COMETIC# |
| 27-60715 | CG30013 |
| 27-64692 | CG30009 |
| 27-64798 | CG60008 |
| 27-64818A3 | CG70001K |
| 27-65184 | CG30003K |
| 27-65577 | CG30012 |
| 27-68715 | CG20003 |
| 27-68715 | CG20054* |
| 27-70143-1 | CG30008 |
| 27-70905 | CG30003 |
| 27-73666 | CG40001 |
| 27-73812 | CG20040 |
| 27-738141 | CG20042 |
| 27-73866 | CG20002 |
| 27-73866 | CG20053* |
| 27-75611 | CG10029* |
| 27-75611 | CG10030* |
| 27-75611001 | CG10029* |
| 27-75611001 | CG10030* |
| 27-75611A03 | CG10006T |
| 27-75611A2 | CG10005T |
| 27-75647 | CG10024* |
| 27-75648 | CG30006K |
| 27-8052151 | CG80075 |
| 27-805396 | CG30021 |
| 27-805522A1 | CG30020 |
| 27-805722A1 | CG30003K |
| 27-807218 | CG20042 |
| 27-807982-1 | CG30008 |
| 27-81084 | CG10027* |
| 27-810841 | CG10027* |
| 27-8115456 | CG10033 |
| 27-811566 | CG60006 |
| 27-811572 | CG50002 |
| 27-8146801 | CG80001 |
| 27-815528 | CG20048 |
| 27-816460 | CG10028* |
| 27-8172771 | CG80072 |
| 27-818832 | CG20024 |
| 27-81987M | CG700295 @ 5 |
| 27-81987M | CG7002925 @ 25 |
| 27-8243261 | CG30030 |
| 27-850470 | CG10032* |
| 27-851040 | CG40002 |
| 27-856081 | CG80069 |
| 27-856101 | CG60068 |
| 27-856705 | CG20021 |
| 27-85817A1 | CG60001 |
| 27-858524 | CG80070 |
| 27-860231 | CG20025 |
| 27-863724 | CG20022 |
| 27-863726 | CG20024 |
| 27-864547A02 | CG20018 |
| 27-864549A02 | CG20018 |
| 27-864850A02 | CG20018 |
| 27-87105-1 | CG20024 |
| 27-879150138 | CG80004 |
| 27-879150139 | CG10033* |
| 27-883964 | CG60002 |
| 27-888947504 | CG30050 |
| 27-90458A1 | CG60003 |
| 27-90556 | CG80005 |
| 27-94996Q2 | CG70001K |
| 27-94996T2 | CG70001K |
| 27-96429 | CG20001 |
| 27-97542 | CG20021 |
| 27-99757 | CG20004 |
| 27-99757 | CG20059* |
| 27-99777 2 | CG20023 |
| 27-99777A1 | CG20002ER |
| 3310-810929003 | CG30023K |
| 3310-810929004 | CG30023K |

* Indicates MLS Gasket



Cometic Gasket - An Exclusive NASCAR Performance Product

CROSS REFERENCE GUIDE

| OMC | |
|------------------------|----------------|
| OMC # | COMETIC # |
| 311068..... | CG20006 |
| 311121..... | CG20038 |
| 311131..... | CG20035 |
| 311598..... | CG700315 @ 5 |
| 311598..... | CG7003125 @ 25 |
| 312780..... | CG90001 |
| 312800..... | CG30044 |
| 315055..... | CG30010 |
| 357159..... | CG60003 |
| 458625..... | CG60001 |
| 473424..... | CG90030 |
| 508872..... | CG60008 |
| 508876..... | CG60003 |
| 778045..... | CG20019 |
| 841207..... | CG10029* |
| 841207..... | CG10030* |
| 856474..... | CG10029* |
| 856474..... | CG10030* |
| 907761..... | CG20039 |
| 907775..... | CG20036 |
| 907932..... | CG20016 |
| 907932..... | CG20008 |
| 908079..... | CG20007 |
| 908237..... | CG10025* |
| 908612..... | CG10027* |
| 908717..... | CG20002 |
| 908935..... | CG20037 |
| 909786..... | CG20029 |
| 909835..... | CG80040 |
| 910102..... | CG30045 |
| 912164..... | CG20001 |
| 912227..... | CG10028* |
| 912405..... | CG20003 |
| 912766..... | CG10026* |
| 912768..... | CG40001 |
| 912768..... | CG40005 |
| 912955..... | CG60002 |
| 912957..... | CG90032 |
| 912965..... | CG40003 |
| 912978..... | CG30001K |
| 912989..... | CG90038 |
| 913271..... | CG40004 |
| 913746..... | CG90043 |
| 914578..... | CG20048 |
| 914817..... | CG90038 |
| 914849..... | CG10031* |
| 914931..... | CG10028* |
| 914972..... | CG10029* |
| 914972..... | CG10030* |
| 985630..... | CG30002K |
| 986103..... | CG30006K |
| 986104..... | CG30006K |
| 988162..... | CG30006K |
| 3850595..... | CG80050 |
| 3852095..... | CG30043 |
| 3852472..... | CG20009 |
| 3852656..... | CG60020 |
| 3852657..... | CG90032 |
| 3852687..... | CG40004 |
| 3852691..... | CG50001 |
| 3852693..... | CG40002 |
| 3852805..... | CG90035 |
| 3852818..... | CG40007 |
| 3852824..... | CG80003 |
| 3853256..... | CG20048 |
| 3853336..... | CG10027* |
| 3853342..... | CG80004 |
| 3853380..... | CG10029* |
| 3853380..... | CG10030* |
| 3853412..... | CG20004 |
| 3853510..... | CG60006 |
| 3853511..... | CG10032* |
| 3853528..... | CG90034 |
| * Indicates MLS Gasket | |

| OMC (cont.) | |
|------------------------|-----------|
| OMC # | COMETIC # |
| 3853732..... | CG10024* |
| 3854095..... | CG30004K |
| 3854299..... | CG10028* |
| 3854300..... | CG40010 |
| 3856138..... | CG60004 |
| 3860095..... | CG90039 |
| 3931593..... | CG60005 |
| 3935449..... | CG50003 |
| 14079398..... | CG60003 |
| * Indicates MLS Gasket | |

| PMC | |
|-----------------------|-----------|
| PMC # | COMETIC # |
| 96108..... | CG20031 |
| 96306..... | CG20013 |
| 96562..... | CG20032 |
| 98127..... | CG20030 |
| 7090190..... | CG60002 |
| R047172..... | CG90030 |
| R047173A..... | CG90032 |
| R047174..... | CG90031 |
| RM0002..... | CG20034 |
| RM0007..... | CG20002 |
| RM0015..... | CG30043 |
| RM0018..... | CG10024* |
| RM0025..... | CG60008 |
| RM0039..... | CG40007 |
| RM0043..... | CG80003 |
| RM0057A..... | CG30006K |
| RM0122..... | CG30044 |
| RM0123..... | CG90001 |
| RM0131..... | CG60003 |
| RM0191..... | CG50003 |
| RM0193..... | CG40004 |
| RM0195..... | CG10029* |
| RM0195..... | CG10030* |
| RM0196..... | CG10031* |
| RM0201..... | CG30004K |
| RM0203..... | CG80040 |
| RM0227..... | CG10032* |
| RM0230..... | CG60006 |
| RM0249..... | CG60004 |
| RM0276A..... | CG20012 |
| RM0287..... | CG20017 |
| RO47045..... | CG90035 |
| RO47205..... | CG90034 |
| RO47220..... | CG90039 |
| RO47236..... | CG90037 |
| RO47237..... | CG90042 |
| RO47041A..... | CG90043 |
| *Indicates MLS Gasket | |

| SEI | |
|------------------------|-----------|
| SEI # | COMETIC # |
| 3853732..... | CG10024* |
| 3854095..... | CG30004K |
| 3854299..... | CG10028* |
| 3854300..... | CG40010 |
| 3856138..... | CG60004 |
| 3860095..... | CG90039 |
| 3931593..... | CG60005 |
| 3935449..... | CG50003 |
| 14079398..... | CG60003 |
| * Indicates MLS Gasket | |

| SIERRA | |
|------------------------|-----------|
| SIERRA # | COMETIC # |
| 18-0113..... | CG20021 |
| 18-0114..... | CG20039 |
| 18-0147..... | CG80003 |
| 18-0153..... | CG60001 |
| 18-0158..... | CG30003 |
| 18-0164..... | CG80001 |
| 18-0183..... | CG20002 |
| 18-0183..... | CG20053* |
| 18-0239..... | CG80056 |
| 18-0240..... | CG80054 |
| 18-0243..... | CG80055 |
| 18-0292..... | CG80053 |
| 18-0293..... | CG80051 |
| 18-0294..... | CG80052 |
| 18-0305..... | CG20031 |
| 18-0309..... | CG20032 |
| 18-0311..... | CG40010 |
| 18-0322..... | CG60020 |
| 18-0327..... | CG80004 |
| 18-0347..... | CG40002 |
| 18-0348..... | CG60005 |
| 18-0352..... | CG40007 |
| 18-0353..... | CG30041 |
| 18-0354..... | CG30013 |
| 18-0356..... | CG30009 |
| 18-0357..... | CG30012 |
| 18-0398..... | CG80010 |
| 18-0403..... | CG30004K |
| 18-0405..... | CG60002 |
| 18-0407..... | CG60008 |
| 18-0410..... | CG30006K |
| 18-0411..... | CG60003 |
| 18-0418..... | CG20009 |
| 18-0418..... | CG20052* |
| 18-0462..... | CG30015 |
| 18-0464..... | CG40005 |
| 18-0465..... | CG30003K |
| 18-0467..... | CG30011 |
| 18-0468..... | CG50002 |
| 18-0471..... | CG20047 |
| 18-0472..... | CG20046 |
| 18-0474..... | CG20011 |
| 18-0474..... | CG20056* |
| 18-0475..... | CG20030 |
| 18-0519..... | CG90032 |
| 18-0528..... | CG90035 |
| 18-0664..... | CG40004 |
| 18-0672..... | CG20025 |
| 18-0677..... | CG20034 |
| 18-0680..... | CG20048 |
| 18-0685..... | CG40001 |
| 18-0720..... | CG20018 |
| 18-0721..... | CG20018 |
| 18-0722..... | CG20018 |
| 18-0756..... | CG80058 |
| 18-0757..... | CG80057 |
| 18-0868..... | CG30002K |
| 18-0872..... | CG20005 |
| 18-0872..... | CG20051* |
| 18-0874..... | CG90001 |
| 18-0876..... | CG30044 |
| 18-0881..... | CG20028 |
| 18-0885..... | CG20020 |
| 18-0887..... | CG50001 |
| 18-0889..... | CG30043 |
| 18-0891..... | CG80040 |
| 18-0893..... | CG80050 |
| 18-0894..... | CG70020 |
| 18-0897..... | CG20022 |
| 18-0903..... | CG80041 |
| 18-0928..... | CG20042 |
| 18-0937..... | CG30010 |
| 18-0943-1..... | CG20029 |
| * Indicates MLS Gasket | |

| SIERRA (cont.) | |
|------------------------|-----------|
| SIERRA # | COMETIC # |
| 18-0956..... | CG20003 |
| 18-0956..... | CG20054* |
| 18-0976..... | CG50002 |
| 18-0980..... | CG50003 |
| 18-0994..... | CG30008 |
| 18-0994-9..... | CG30008 |
| 18-1204..... | CG20001 |
| 18-1210..... | CG20041 |
| 18-1211..... | CG90030 |
| 18-1213..... | CG90038 |
| 18-1231..... | CG30004K |
| 18-1232..... | CG60006 |
| 18-1233..... | CG90039 |
| 18-1234..... | CG90034 |
| 18-1237..... | CG60004 |
| 18-1238..... | CG30030 |
| 18-1254..... | CG10006T |
| 18-1257..... | CG10007T |
| 18-1258..... | CG10010T |
| 18-1259..... | CG10008T |
| 18-1259..... | CG10012T |
| 18-1266..... | CG10005T |
| 18-1267..... | CG10006T |
| 18-1273..... | CG10014T |
| 18-1274..... | CG10001T |
| 18-1277..... | CG10002T |
| 18-1278..... | CG10004T |
| 18-25001..... | CG40005 |
| 18-2552..... | CG80007 |
| 18-2554..... | CG80005 |
| 18-2619-1..... | CG70001K |
| 18-2819..... | CG20027 |
| 18-2823..... | CG80067 |
| 18-2824..... | CG80066 |
| 18-2825..... | CG80065 |
| 18-2826..... | CG80068 |
| 18-2830..... | CG20008 |
| 18-2830..... | CG20016 |
| 18-2831..... | CG80021 |
| 18-2832..... | CG20043 |
| 18-2833..... | CG20023 |
| 18-2834..... | CG80008 |
| 18-2844..... | CG80006 |
| 18-2845..... | CG40003 |
| 18-2848..... | CG30014 |
| 18-2849-1..... | CG20024 |
| 18-2850..... | CG20037 |
| 18-2859..... | CG20035 |
| 18-2861..... | CG20038 |
| 18-2875..... | CG20019 |
| 18-2883-1..... | CG20036 |
| 18-2896..... | CG20006 |
| 18-2909..... | CG20004 |
| 18-2909..... | CG20059* |
| 18-2912..... | CG20007 |
| 18-2914..... | CG80069 |
| 18-2915..... | CG80070 |
| 18-2917..... | CG80002 |
| 18-2941..... | CG20045 |
| 18-2946..... | CG10027* |
| 18-2949..... | CG20013 |
| 18-2949..... | CG20017 |
| 18-2949..... | CG20051* |
| 18-2949..... | CG20051* |
| 18-3860..... | CG10020* |
| 18-3874..... | CG10033* |
| 18-3876..... | CG10029* |
| 18-3876..... | CG10030* |
| 18-3877..... | CG10031* |
| 18-3878..... | CG10026* |
| 18-3879..... | CG10028* |
| 18-3881..... | CG10025* |
| 18-3883..... | CG10024* |
| 18-3887..... | CG10032* |
| * Indicates MLS Gasket | |



Cometic Gasket - An Exclusive NASCAR Performance Product

CROSS REFERENCE GUIDE

| SIERRA (cont.) | |
|-----------------------|-----------|
| SIERRA # | COMETIC # |
| 18-4347-1 | CG20005ER |
| 18-4348 | CG20008ER |
| 18-4349 | CG20006ER |
| 18-4367 | CG20002ER |
| 18-4377 | CG30045 |
| 18-4394 | CG20007ER |
| 18-4395 | CG20001ER |
| 18-4397 | CG20009ER |
| 18-4398 | CG20003ER |
| 18-4399 | CG20010ER |
| 18-4408 | CG30001K |

| VOLVO | |
|--------------|-----------|
| VOLVO # | COMETIC # |
| 31055 | CG30010 |
| 311210 | CG10027* |
| 473424 | CG90030 |
| 835417 | CG80002 |
| 835966 | CG20051* |
| 841207 | CG10029* |
| 841207 | CG10030* |
| 856034 | CG20051* |
| 856474 | CG10029* |
| 856474 | CG10030* |
| 908237 | CG10025* |
| 908611 | CG10027* |
| 912164 | CG20001 |
| 912227 | CG10028* |
| 912768 | CG40005 |
| 912957 | CG90032 |
| 912965 | CG40003 |
| 912989 | CG90038 |
| 913270 | CG40004 |
| 913745 | CG90035 |
| 913746 | CG90043 |
| 914817 | CG90038 |
| 914849 | CG10031* |
| 914930 | CG10028* |
| 914971 | CG10029* |
| 914971 | CG10030* |
| 3850379 | CG30001K |
| 3850495 | CG20019 |
| 3850496 | CG20029 |
| 3850595 | CG80050 |
| 3852095 | CG30043 |
| 3852096 | CG80001 |
| 3852109 | CG90001 |
| 3852113 | CG30044 |
| 3852455 | CG20002 |
| 3852455 | CG20053* |
| 3852472 | CG20009 |
| 3852472 | CG20052* |
| 3853742 | CG20053* |
| 3852477 | CG80040 |
| 3852654 | CG50002 |
| 3852655 | CG60002 |
| 3852656 | CG60020 |
| 3852657 | CG90032 |
| 3852687 | CG40004 |
| 3852691 | CG50001 |
| 3852693 | CG40002 |
| 3852805 | CG90035 |
| 3852818 | CG40007 |
| 3852824 | CG80003 |
| 3853256 | CG20048 |
| 3853336 | CG10027* |
| 3853341 | CG90038 |
| 3853342 | CG80004 |
| 3853361 | CG80041 |
| 3853380 | CG10029* |
| 3853380 | CG10030* |
| 3853412 | CG20004 |

* Indicates MLS Gasket

| VOLVO (cont.) | |
|----------------------|-----------|
| VOLVO # | COMETIC # |
| 3853412 | CG20059* |
| 3853510 | CG60006 |
| 3853511 | CG10032* |
| 3853512 | CG50002 |
| 3853513 | CG40005 |
| 3853528 | CG90034 |
| 3853732 | CG10024* |
| 3853811 | CG10033* |
| 3853912 | CG30006K |
| 3854095 | CG30004K |
| 3854269 | CG30002K |
| 3854299 | CG10028* |
| 3854300 | CG40010 |
| 3854406 | CG30006K |
| 3854942 | CG40010 |
| 3856138 | CG60004 |
| 3859016 | CG30030 |
| 3860095 | CG90039 |
| 3931593 | CG60005 |
| 3935449 | CG50003 |

* Indicates MLS Gasket

| WSM | |
|------------|-----------|
| WSM# | COMETIC # |
| 446-510 | CG70001K |

| YAMAHA | |
|-----------------|----------------|
| YAMAHA# | COMETIC # |
| YSC-12190-00-AC | CG20004 |
| YSC-12190-00-AC | CG20059* |
| YSC-13080-00-0C | CG80001 |
| YSC-22190-00-0C | CG20009 |
| YSC-22190-00-0C | CG20051* |
| YSC-22190-00-0C | CG20052* |
| YSG-10108-43-8G | CG30044 |
| YSG-10108-44-5G | CG90001 |
| YSG-10114-14-1G | CG30043 |
| YSG-12517-94-3G | CG20001 |
| YSG-14096-15-6G | CG50001 |
| YSG-37545-87-G0 | CG80040 |
| YSG-38600-39-G0 | CG80041 |
| 663-44315-A0 | CG80053 |
| 663-44316-A0 | CG80051 |
| 663-44324-A0 | CG80052 |
| 688-44315-A0 | CG80056 |
| 688-44316-A0 | CG80054 |
| 688-44324-A0 | CG80055 |
| 6H3-44315-A0 | CG80058 |
| 6H3-44324-A0 | CG80057 |
| 90430-08020 | CG700295 @ 5 |
| 90430-08020 | CG7002925 @ 25 |

* Indicates MLS Gasket



Klotz Synthetic Lubricants are designed and engineered to be the best lubricants in the motorsports industry. Formulated for all engine types, Klotz offers a full line of Estorlin Synthetic Racing Oils, Power Additives, and Aerosols needed to keep you engine protected and performing at an optimal level.

For more information, Tech Sheets, or MSDS Sheets please visit www.klotzlube.com



4-STROKE LUBRICANTS

PURE ESTORLIN® MARINE 4-STROKE I/O SYNTHETIC LUBRICANT

- Designed for all outboard, inboard and I/O four stroke engines
- NMMA, FC-W & FC-W CAT compliant
- Certified for complete warranty compliance and protection
- Provides performance advantages for leading outboard, inboard and I/O engine manufacturers including: Mercruiser, Indmar, PCM, Volvo Penta, Mercury, Yamaha, Johnson, Evinrude, Honda, Suzuki, Nissan and Tohatsu.

| Part # | Desc. |
|-------------|---------------|
| KE-330..... | 10W/30 1 qt. |
| KE-331..... | 10W/30 1 gal. |
| KE-340..... | 25W/40 1 qt. |
| KE-341..... | 25W/40 1 gal. |

SKICRAFT® X4™

- Certified warranty compliant
- Improved throttle response
- Increases RPMs
- Provides long-lasting protection and performance
- Recommended for Honda (2009 and older), Kawasaki, Sea-Doo and Yamaha personal watercrafts

| Part # | Desc. |
|-------------|-------------|
| KL-810..... | 10W40 1 qt. |

ADDITIVES & AEROSOLS



2-STROKE LUBRICANTS

OUTBOARD TECHNIPLATE®

- TC-W3 certified warranty compliant
- Perfect for new generation of 2-stroke injection and E-injection outboard motors
- Blends with gasoline
- Recommended for Evinrude, Honda, Mercury, Suzuki and Yamaha outboards

| Part # | Desc. |
|-------------|--------|
| KL-332..... | 1 qt. |
| KL-333..... | 1 gal. |

SKICRAFT®TECHNIPLATE®

- TC-W3 certified warranty compliant
- Improved throttle response, increased RPMs
- Premix or oil injection
- Blends with gasoline
- Recommended for Honda (2009 and older), Kawasaki, Sea-Doo and Yamaha personal water

| Part # | Desc. |
|-------------|--------|
| KL-306..... | 1 qt. |
| KL-307..... | 1 gal. |

| | Part # | Desc. |
|---|----------------|----------|
| Assembly Lube | KL-311-1 | 12oz. |
| Fogon - Storage & Afterrun Lubricant..... | KL-612-1 | 6oz. |
| | KL-610-1 | 16oz. |
| Plug & Contact Cleaner..... | KL-609-1 | 12.5oz |
| Ethanol Gasoline Fazeseparation Treatment | KL-603-1 | 16oz. |
| | KL-623-1 | 1gal. |
| Storbilizer..... | KL-613-1 | 16oz. |
| | KL-633-1 | 1gal. |
| Cometic Engine Block & Head Surface Cleaner | C1047-1 | 15.25oz. |

WARRANTY DISCLAIMER*

Due to the nature of performance applications, the parts in this catalog are sold without any express warranty or any implied warranty of merchantability or fitness for a particular purpose. Cometic Gasket Inc. shall not, under any circumstances, be liable for any special, incidental or consequential damages, including, person, party or property, but not limited to, damage, or loss of property or equipment, loss of profits or revenue, cost of purchased or replacement goods, or claims of customers of the purchase, which may arise and/or result from sale, installation or use of these parts. Installation of these parts could adversely affect the motor manufacturers warranty coverage.

VENUE-The agreed upon venue, in the event of any dispute whatsoever between the parties, whether instituted by either party, including, but not limited to, contract terms, payment terms, delivery, type, defects, sufficiency of product, shall be the Court of Common Pleas, Lake County, Ohio or the Painesville Municipal Court, Lake County, Ohio, depending on the amount in controversy.

This agreement shall be governed by and construed under the laws of the State of Ohio.

All prices and terms are subject to change without notice.

Terms Open accounts may be established by well rated firms. A credit application is available upon request. Open accounts are due payable Net 30 days from date of invoice. No statement will be sent. If an account becomes 60 or more days past due, it is subject to being placed on credit hold. No orders will be shipped or new orders accepted until past due balance is paid. If an account becomes 90 or more days past due, it is subject to being placed for collections. All costs of collection are the responsibility of the customer, including attorney fees, court costs, and other expenses of litigation.

Returns- Authorization (RGA) must be obtained in advance on all returns. A packing slip or invoice number must accompany the merchandise. No returns after 30 days from invoice date. All returns are subject to a 25% restocking charge. All custom designed and custom manufactured gaskets are non-returnable. Only catalog parts are returnable. Review your invoice and notify us immediately of any incorrect or inaccurate information. Shortages must be reported within 10 days.

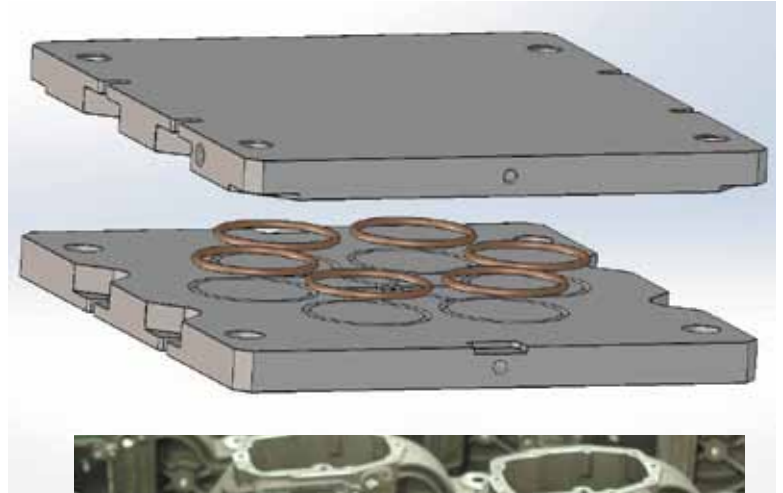


Made in the U.S.A.

OEM Production

One Source for Prototyping to Full Production

- Prototyping with economical tooling options.
- Full production Capabilities
- Quick turnaround
- In-house tool & die capabilities
- ISO 9001:2008 Certified
- We can assist in developing a sealing solution for nearly any environment.
- Personal attention by our dedicated staff. We currently supply production to many customers in the automotive, marine, powersports, industrial, and power generator industries.
- Stamping, Laser Cutting, Rubber Injection Molding and 5 Axis Machining



Flexibility is Key

We understand many variables go into determining design, volume, and production forecasts. We are accustomed to working in an ever changing environment.

Maintain knowledge base and part awareness during the transition from the early stages of development all the way through production, without the hassle of changing suppliers.

Inventory turns are important. We can work together for a delivery solution that best fits your inventory level and cash flow needs.



Call our Engineering Team today @ (440) 354-0777 for a quote



Contact Us

Order Toll Free By Calling (800) 752-9850

Cometic Gasket, Inc.
8090 Auburn Road
Concord, OH 44077

For Technical Assistance Call (440) 354-0777
Fax (440) 354-0350
email info@cometic.com
web www.cometic.com

Method of Payment Mastercard/VISA

Ship Via UPS Next Day Air / 2nd Day Air / Regular Ground / 3 Day Ground Service

facebook.com/cometic

@CometicGasket

Cometic Partners



Cometic Gasket, Inc. - An Exclusive NASCAR® Performance Product



The NASCAR® Performance logo and word mark are used under license by the National Association for Stock Car Auto Racing, Inc.

Copyright® 2019 Cometic Gasket, Inc.
Cover photos courtesy of: Volvo Penta

MB19
Printed in U.S.A.

